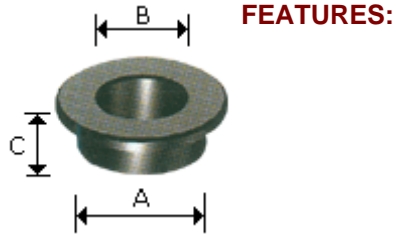


Name: BUSHINGS (SHAPER CUTTERS)

Model:800 SERIES



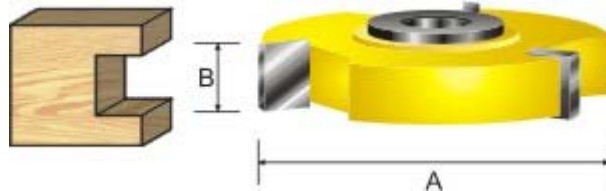
Specification:

Item No.	A	B	C
800010	3/4	1/2	1/8
800020	3/4	1/2	1/4
800030	1-1/4	3/4	3/16
800040	1-1/4	1	3/16

Name: STRAIGHT (SHAPER CUTTERS)

Model:800 SERIES

FEATURES:



Specification:

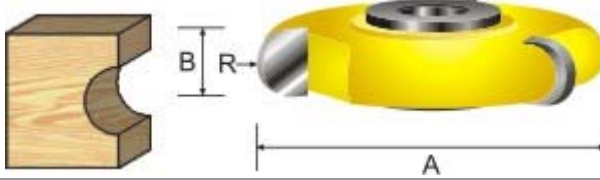
Item No.	A	B
801020	2-5/8"	1/4"
801030	2-5/8"	3/8"
801040	2-5/8"	1/2"
801060	2-5/8"	3/4"
801100	2-5/8"	1"
801120	2-5/8"	1-1/4"

801140	2-5/8"	1-1/2"
801160	2-5/8"	1-3/4"
811200	2-5/8"	2"

Name: FLUTE/COVE (SHAPER CUTTERS)

Model:800 SERIES

FEATURES:



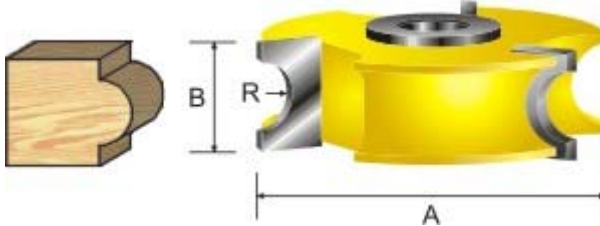
Specification:

Item No.	A	B	R
802020	2-5/8"	1/4"	1/8"
802030	2-5/8"	3/8"	3/16"
802040	2-5/8"	1/2"	1/4"
802060	2-5/8"	3/4"	3/8"
802100	2-5/8"	1"	1/2"
802140	3-1/8"	1-1/2"	3/4"

Name: HALF ROUND (SHAPER CUTTERS)

Model:800 SERIES

FEATURES:



Specification:

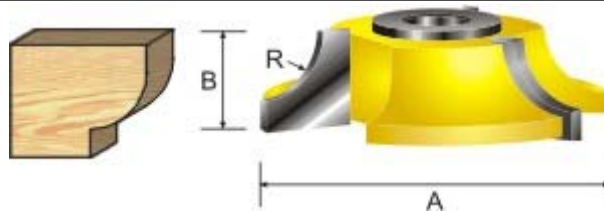
Item No.	A	B	R
803020	2-5/8"	9/16"	1/8"
803030	2-5/8"	11/16"	3/16"

803040	2-5/8"	13/16"	1/4"
803060	2-5/8"	1-3/32"	3/18"
803100	2-5/8"	1-5/16"	1/2"
803140	3-1/8"	1-7/8"	3/4"

Name: QUARTER ROUND (SHAPER CUTTERS)

Model:800 SERIES

FEATURES:



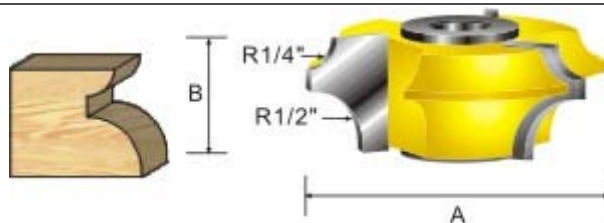
Specification:

Item No.	A	B	R
804010	2-5/8"	3/8"	1/8"
804015	2-5/8"	7/16"	3/16"
804020	2-5/8"	1/2"	1/4"
804025	2-5/8"	9/16"	5/16"
804030	2-5/8"	5/8"	3/8"
804040	2-3/4"	3/4"	1/2"
804050	3"	7/8"	5/8"
804060	3-5/8"	1"	3/4"
804100	4-1/8"	1-1/4"	1"
804120	4-5/8"	1-1/2"	1-1/4"
804140	5-1/8"	1-3/4"	1-1/2"

Name: 1/4 & 1/2 INCHES ROUND (SHAPER CUTTERS)

Model:800 SERIES

FEATURES:



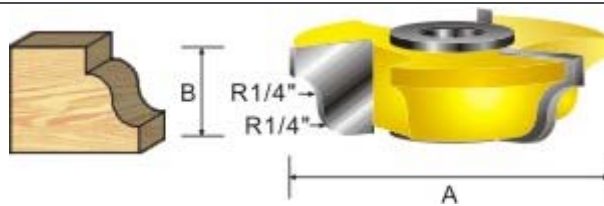
Specification:

Item No.	A	B
805010	2-5/8"	1"

Name: OGEE (SHAPER CUTTER)

Model:800 SERIES

FEATURES:



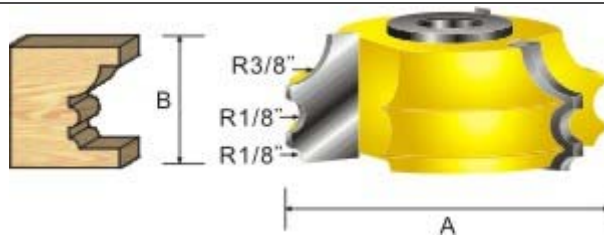
Specification:

Item No.	A	B
806010	2-5/8"	3/4"

Name: 1/8 & 3/8 INCHES QR. RD. & 1/4 INCHES BEAD (SHAPER CUTTER)

Model:800 SERIES

FEATURES:



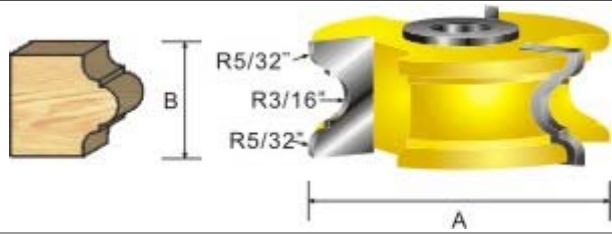
Specification:

Item No.	A	B
807010	2-5/8"	1"

Name: CLASSIC BEAD (SHAPER CUTTER)

Model:800 SERIES

FEATURES:



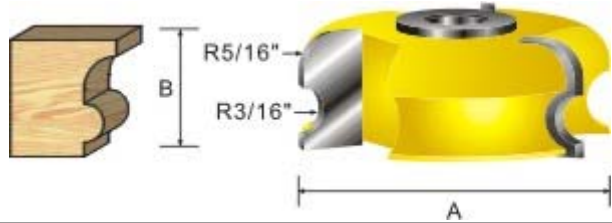
Specification:

Item No.	A	B
808010	2-5/8"	1"

Name: 5/16 INCHES COVE & 3/8 INCHES BEAD (SHAPER CUTTER)

Model:800 SERIES

FEATURES:



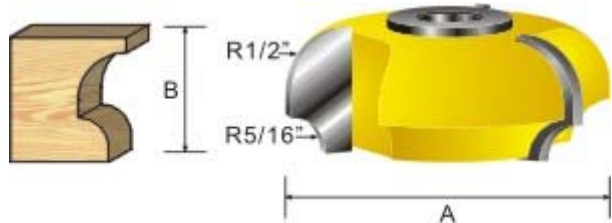
Specification:

Item No.	A	B
809010	2-5/8"	31/32"

Name: 1/2 INCHES COVE & 5/16 INCHES QUARTER RD. (SHAPER CUTTER)

Model:800 SERIES

FEATURES:



Specification:

Item No.	A	B
----------	---	---

810010	2-5/8"	1"
--------	--------	----

Name: OGEE AND COVE (SHAPER CUTTER)

Model:800 SERIES

FEATURES:

Specification:

Item No.	A	B
811010	2-7/8"	1"

Name: OGEE AND BEAD TABLE EDGE (SHAPER CUTTER)

Model:800 SERIES

FEATURES:

Specification:

Item No.	A	B
812010	3-1/4"	1"

Name: CORNER ROUND AND OGEE (SHAPER CUTTER)

Model:800 SERIES

FEATURES:

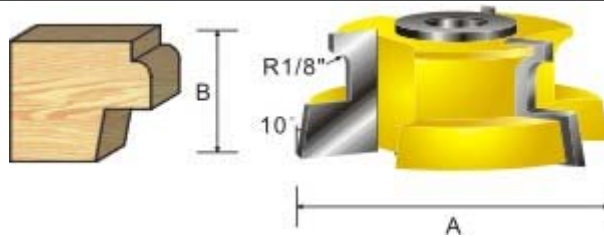
Specification:

Item No.	A	B
813010	2-5/8"	1"

Name: CORNER ROUND AND TAPER RABBET (SHAPER CUTTER)

Model:800 SERIES

FEATURES:



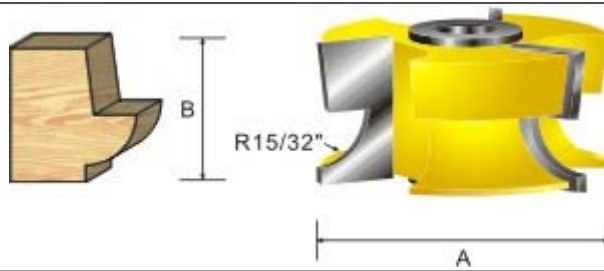
Specification:

Item No.	A	B
814010	2-5/8"	1"

Name: DOOR LIP (SHAPER CUTTER)

Model:800 SERIES

FEATURES:



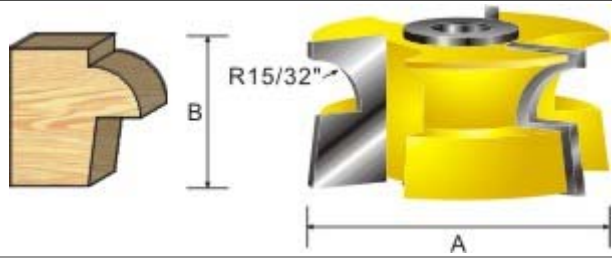
Specification:

Item No.	A	B
815010	2-5/8"	1-1/4"

Name: DOOR LIP (SHAPER CUTTER)

Model:800 SERIES

FEATURES:



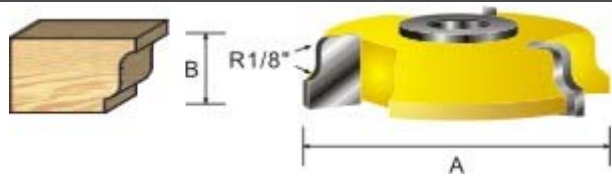
Specification:

Item No.	A	B
816010	2-5/8"	1-1/4"

Name: FEMALE SASH (SHAPER CUTTER)

Model:800 SERIES

FEATURES:



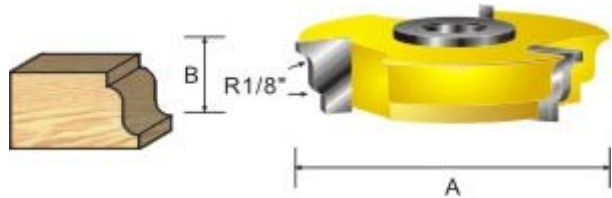
Specification:

Item No.	A	B
817010	2-5/8"	19/32"

Name: MALE SASH (SHAPER CUTTER)

Model:800 SERIES

FEATURES:



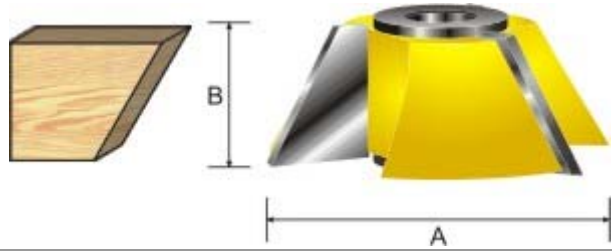
Specification:

Item No.	A	B
818010	2-5/8"	39/64"

Name: 30° BEVEL (SHAPER CUTTER)

Model:800 SERIES

FEATURES:



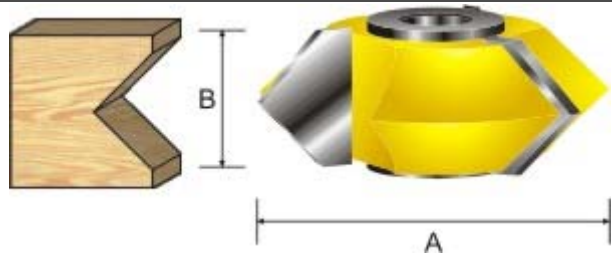
Specification:

Item No.	A	B
819010	2-5/8"	1"

Name: 90° V-GROOVE (SHAPER CUTTER)

Model:800 SERIES

FEATURES:



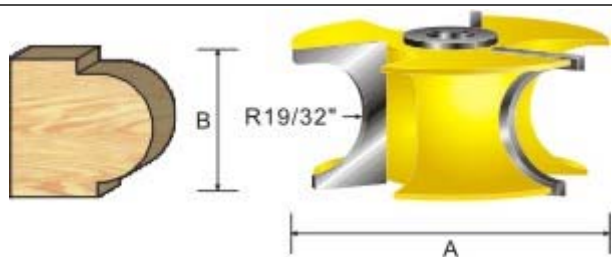
Specification:

Item No.	A	B
820010	2-5/8"	1"

Name: STAIR TREAD (SHAPER CUTTER)

Model:800 SERIES

FEATURES:



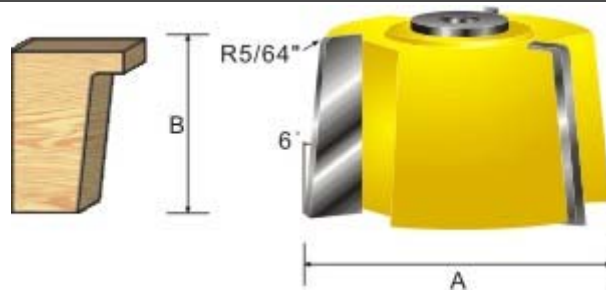
Specification:

Item No.	A	B
821010	3-3/8"	1-1/2"

Name: VERTICAL PANEL RAISING (SHAPER CUTTER)

Model:800 SERIES

FEATURES:



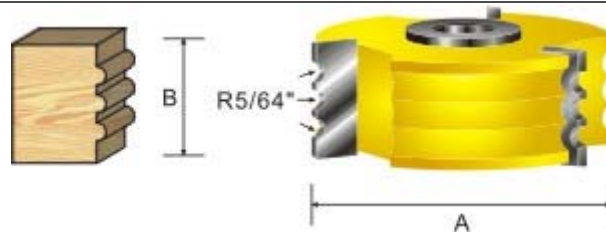
Specification:

Item No.	A	B
822010	2-5/8"	1-1/2"

Name: TRIPLE FLUTE (SHAPER CUTTER)

Model:800 SERIES

FEATURES:



Specification:

Item No.	A	B
823010	2-5/8"	1"

Name: TRIPLE BEAD (SHAPER CUTTER)

Model:800 SERIES

FEATURES:



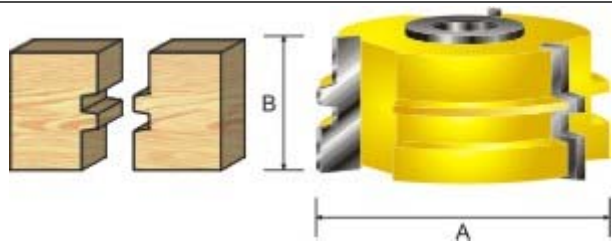
Specification:

Item No.	A	B
824010	2-5/8"	1"

Name: GLUE JOINT (SHAPER CUTTER)

Model:800 SERIES

FEATURES:



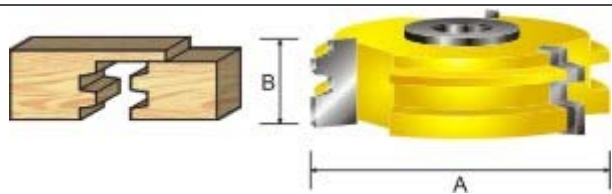
Specification:

Item No.	A	B
825010	2-5/8"	1-3/16"

Name: DRAWER JOINT (SHAPER CUTTER)

Model:800 SERIES

FEATURES:



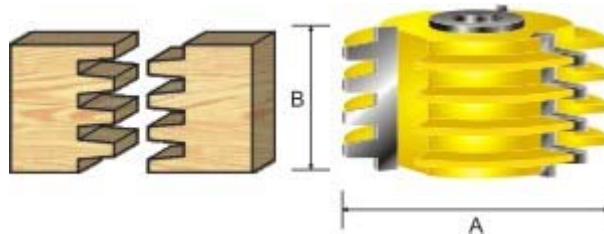
Specification:

Item No.	A	B
826010	2-5/8"	3/4"

Name: FINGER JOINT (SHAPER CUTTER)

Model:800 SERIES

FEATURES:



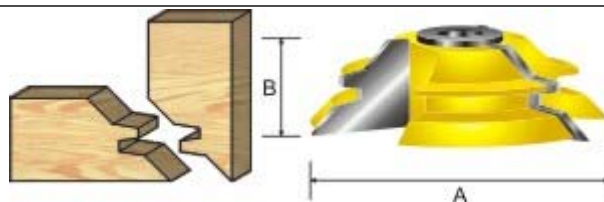
Specification:

Item No.	A	B
827010	2-7/8"	1-1/2"

Name: LOCK MITRE (SHAPER CUTTER)

Model:800 SERIES

FEATURES:



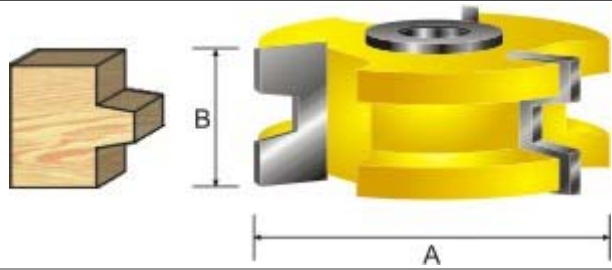
Specification:

Item No.	A	B
828010	3-5/8"	1"

Name: WEDGE TONGUE (SHAPER CUTTER)

Model:800 SERIES

FEATURES:



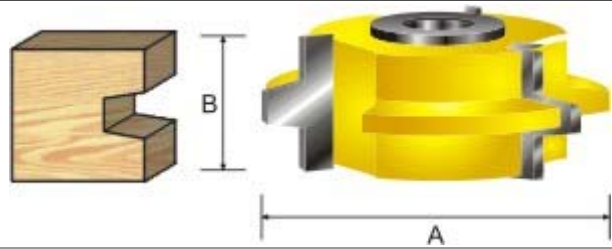
Specification:

Item No.	A	B
829010	2-5/8"	1"

Name: WEDGE GROOVE (SHAPER CUTTER)

Model:800 SERIES

FEATURES:



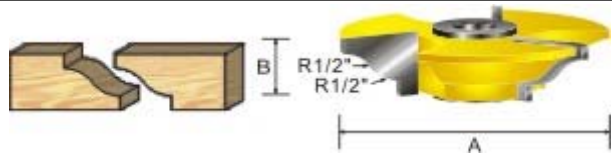
Specification:

Item No.	A	B
830010	2-5/8"	1"

Name: OGEE (SHAPER CUTTER)

Model:800 SERIES

FEATURES:



Specification:

Item No.	A	B
----------	---	---

831010	3-1/4"	3/4"
--------	--------	------

Name: BEAD & COVE (SHAPER CUTTER)

Model:800 SERIES

FEATURES:

Specification:

Item No.	A	B
832010	3"	13/16"

Name: V PANELING CUTTER SET (SHAPER CUTTER)

Model:800 SERIES

FEATURES:

Specification:

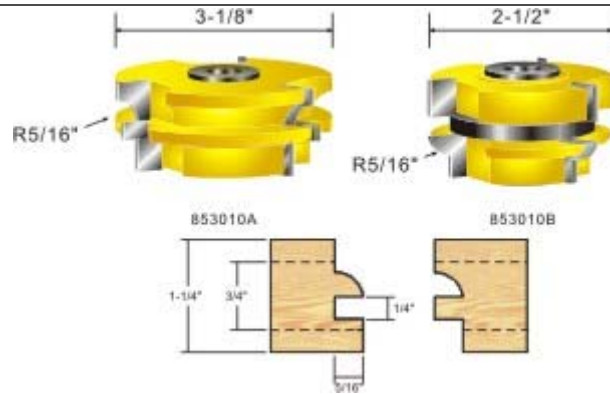
1/2"		
Item No.	A	B
833040	2-5/8"	21/32"
3/4"		
Item No.	A	B
833060	2-3/4"	29/32"

1"		
Item No.	A	B
833100	3"	1-11/64"

Name: CONCAVE RAIL & STILE SET

Model:853010

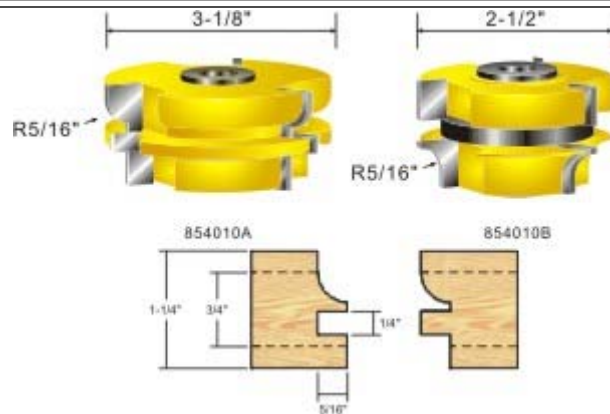
FEATURES:



Name: CONVEX RAIL & STILE SET

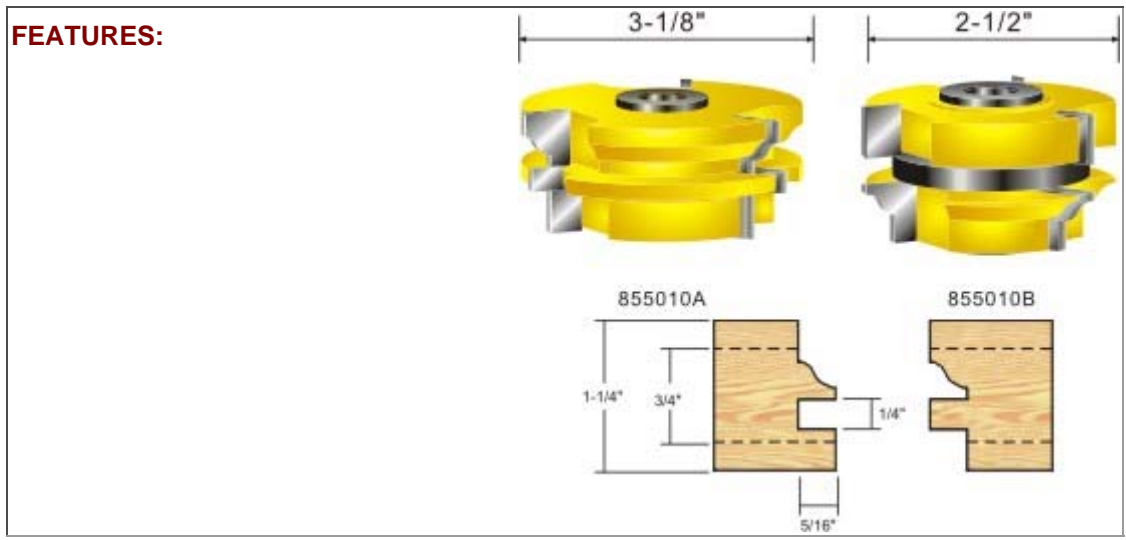
Model:854010

FEATURES:



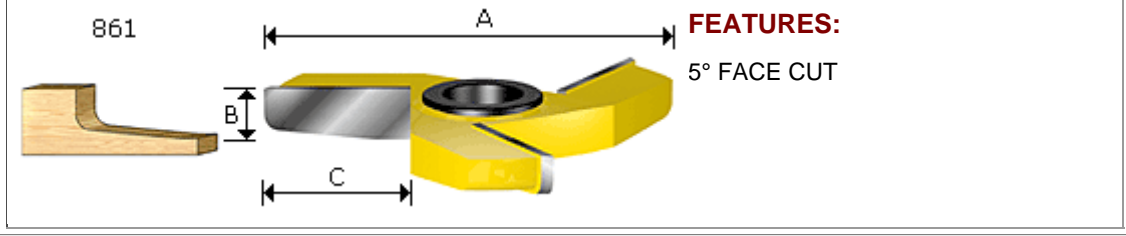
Name: OGEE RAIL & STILE SET

Model:855010



Name: RAISED PANEL CUTTER

Model:861 SERIES

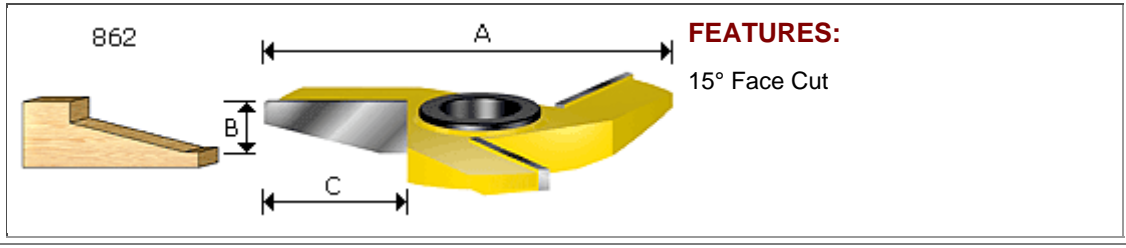


Specification:

3/4" BORE			
Item No.	CUTTER DIAMETER	CUTTING LENGTH	CUTTING WIDTH C
861060	5"	5/8"	1-1/2"
1-1/4" BORE			
Item No.	CUTTER DIAMETER	CUTTING LENGTH	CUTTING WIDTH C
861120	5-1/2"	5/8"	1-1/2"

Name: RAISED PANEL CUTTER

Model:860 SERIES

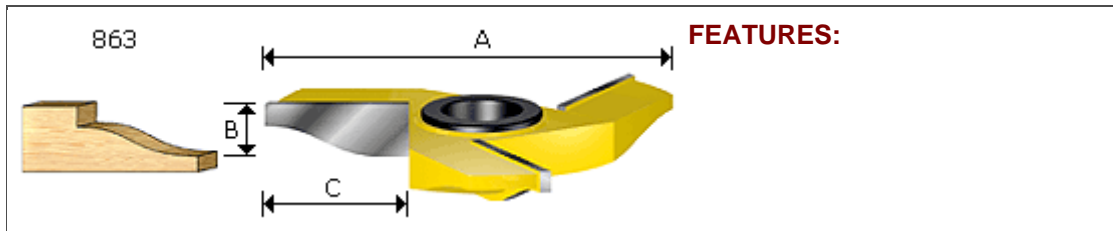


Specification:

3/4" BORE			
Item No.	CUTTER DIAMETER	CUTTING LENGTH	CUTTING WIDTH C
862060	5"	5/8"	1-1/2"
1-1/4" BORE			
Item No.	CUTTER DIAMETER	CUTTING LENGTH	CUTTING WIDTH C
862120	5-1/2"	5/8"	1-1/2"

Name: RAISED PANEL CUTTER

Model:863 SERIES

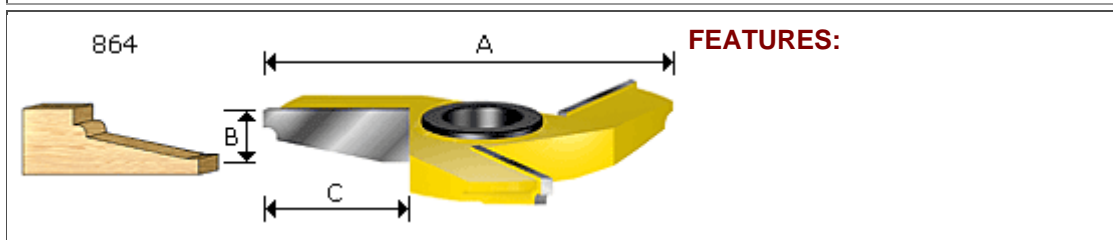


Specification:

3/4" BORE			
Item No.	CUTTER DIAMETER	CUTTING LENGTH	CUTTING WIDTH C
863060	5"	5/8"	1-1/2"
1-1/4" BORE			
Item No.	CUTTER DIAMETER	CUTTING LENGTH	CUTTING WIDTH C
863120	5-1/2"	5/8"	1-1/2"

Name: RAISED PANEL CUTTER

Model:864 SERIES

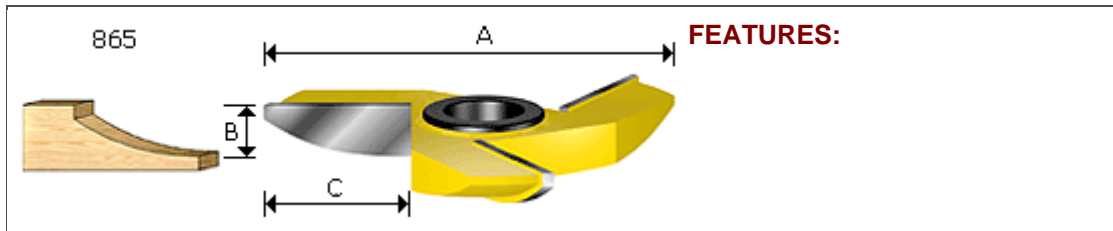


Specification:

3/4" BORE			
Item No.	CUTTER DIAMETER	CUTTING LENGTH	CUTTING WIDTH C
864060	5"	5/8"	1-1/2"
1-1/4" BORE			
Item No.	CUTTER DIAMETER	CUTTING LENGTH	CUTTING WIDTH C
864120	5-1/2"	5/8"	1-1/2"

Name: RAISED PANEL CUTTER

Model:865 SERIES



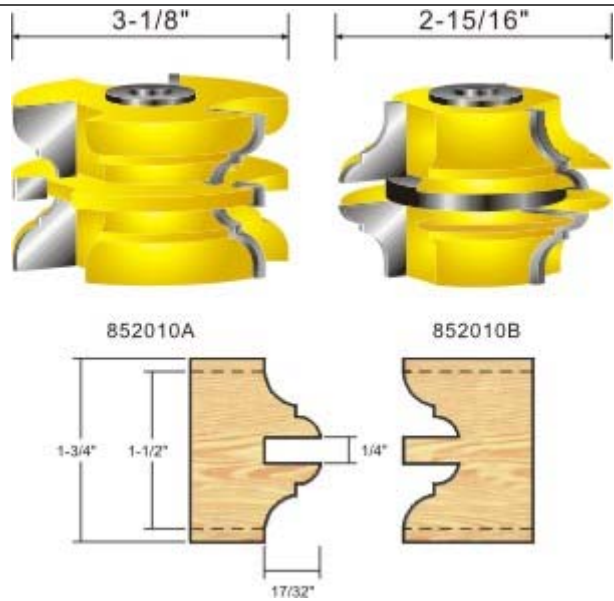
Specification:

3/4" BORE			
Item No.	CUTTER DIAMETER	CUTTING LENGTH	CUTTING WIDTH C
865060	5"	5/8"	1-1/2"
1-1/4" BORE			
Item No.	CUTTER DIAMETER	CUTTING LENGTH	CUTTING WIDTH C
865120	5-1/2"	5/8"	1-1/2"

Name: COVE & BEAD SET (SHAPER CUTTER)

Model:852010

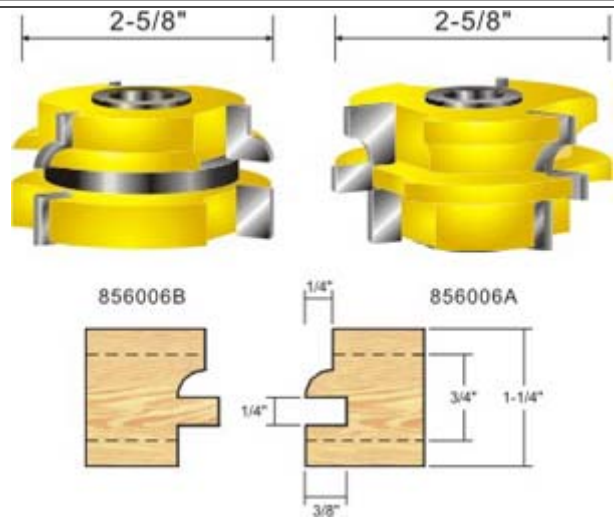
FEATURES:



Name: CONCAVE RAIL & STILE SET

Model:856006

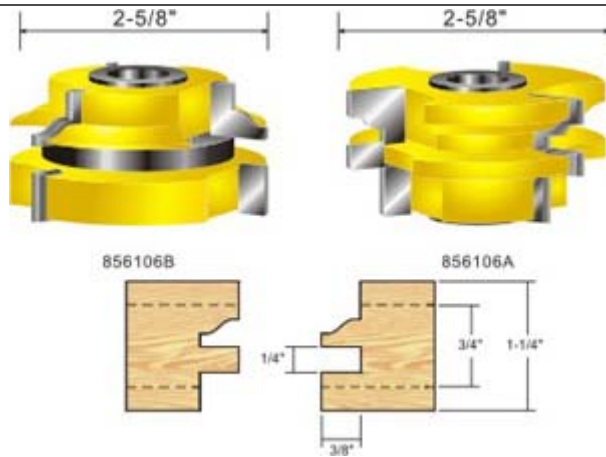
FEATURES:



Name: OGEE RAIL & STILE SET

Model:856106

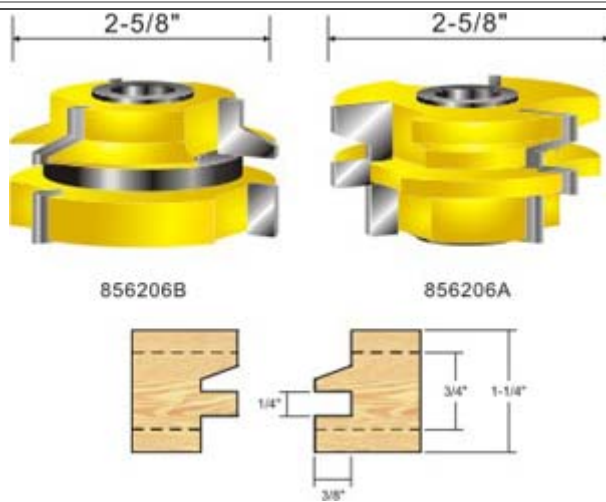
FEATURES:



Name: CHAMFER RAIL & STILE SET

Model:856206

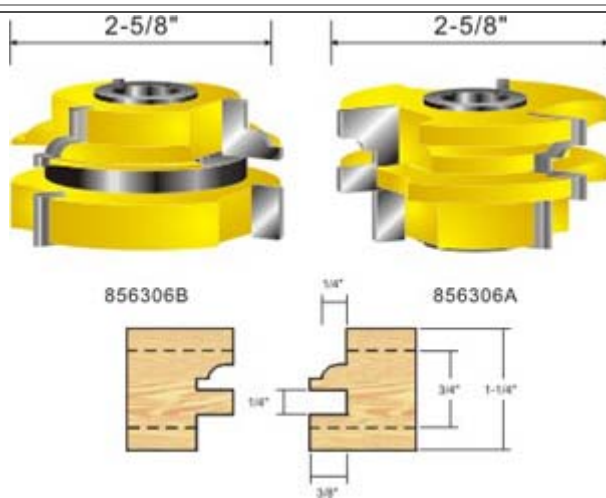
FEATURES:



Name: BEAD RAIL & STILE SET

Model:856306

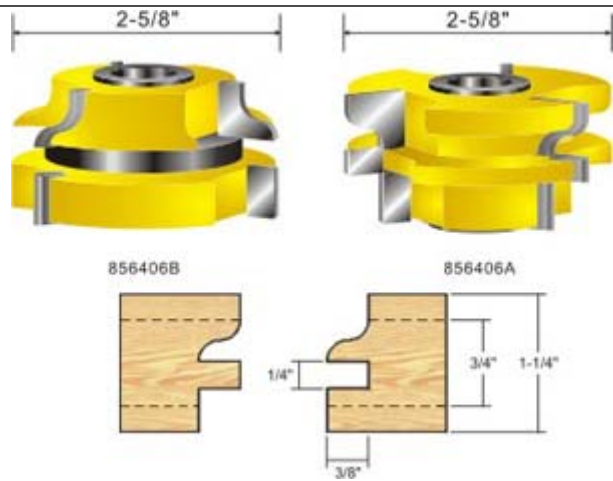
FEATURES:



Name: OGEE RAIL & STILE SET

Model:856406

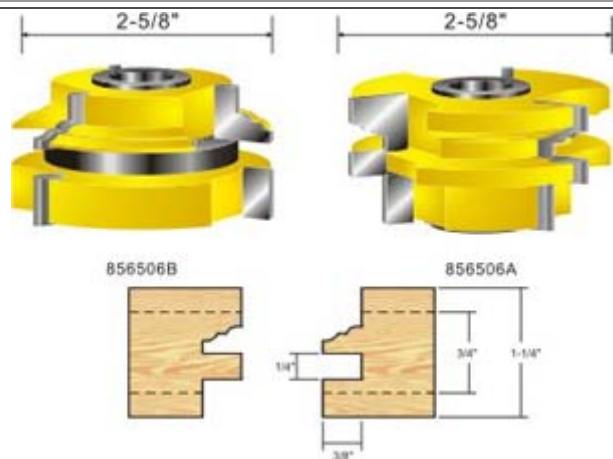
FEATURES:



Name: BEAD AND COVE SET

Model:856506

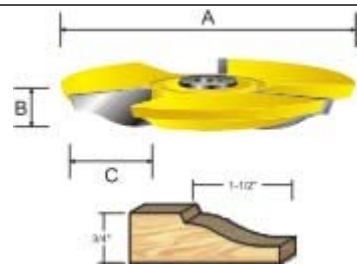
FEATURES:



Name: RAISED PANEL CUTTER

Model:866060

FEATURES:



Specification:

3/4" BORE			
Item No.	Cutter Diameter A	Cutting Length B	Cutting Width C
866060	5"	5/8"	1-1/2"
1-1/4" BORE			
Item No.	Cutter Diameter A	Cutting Length B	Cutting Width C
866120	5-1/2"	5/8"	1-1/2"

Name: RAISED PANEL CUTTER

Model:867060

FEATURES:

The diagram shows a yellow raised panel cutter with a central bore. Dimension A is the overall diameter, B is the cutting length, and C is the cutting width. A cross-section shows a 1-3/8" wide panel being cut by a 3/4" wide cutter.

Specification:

3/4" BORE			
Item No.	Cutter Diameter A	Cutting Length B	Cutting Width C
867060	5"	5/8"	1-1/2"
1-1/4" BORE			
Item No.	Cutter Diameter A	Cutting Length B	Cutting Width C
867120	5-1/2"	5/8"	1-1/2"

Name: RAISED PANEL CUTTER

Model:868060

FEATURES:

The diagram shows a yellow raised panel cutter with a central bore. Dimension A is the overall diameter, B is the cutting length, and C is the cutting width. A cross-section shows a 1-3/8" wide panel being cut by a 3/4" wide cutter.

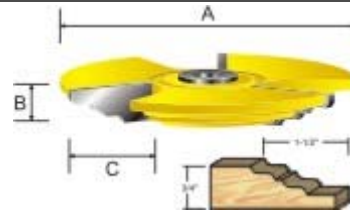
Specification:

3/4" BORE			
Item No.	Cutter Diameter A	Cutting Length B	Cutting Width C
868060	5"	5/8"	1-1/2"
1-1/4" BORE			
Item No.	Cutter Diameter A	Cutting Length B	Cutting Width C
868120	5-1/2"	5/8"	1-1/2"

Name: RAISED PANEL CUTTER

Model:869060

FEATURES:



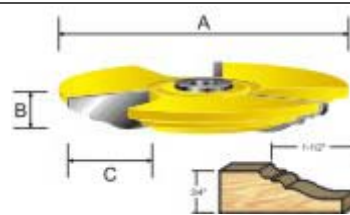
Specification:

3/4" BORE			
Item No.	Cutter Diameter A	Cutting Length B	Cutting Width C
869060	5"	5/8"	1-1/2"
1-1/4" BORE			
Item No.	Cutter Diameter A	Cutting Length B	Cutting Width C
869120	5-1/2"	5/8"	1-1/2"

Name: RAISED PANEL CUTTER

Model:870060

FEATURES:



Specification:

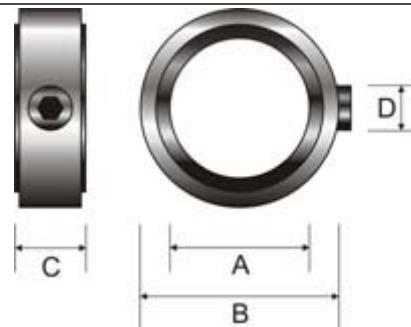
3/4" BORE			
Item No.	Cutter Diameter A	Cutting Length B	Cutting Width C
870060	5"	5/8"	1-1/2"
1-1/4" BORE			
Item No.	Cutter Diameter A	Cutting Length B	Cutting Width C
870120	5-1/2"	5/8"	1-1/2"

Name: COLLARS

Model:901 SERIES

FEATURES:

Collars are used for cutters with shank mounted bearings.



Specification:

Item No.	Diameters Inside x Outside A x B	Shim Thickness C	D
901011	6mm (0.237") x 11mm (0.433")	5.5mm (0.217")	M3
901021	6.35mm (0.250") x 11mm (0.433")	5.5mm (0.217")	M3
901031	8mm (0.315") x 14mm (0.551")	6.4mm (0.252")	M4
901041	12mm (0.473") x 18mm (0.709")	6.4mm (0.252")	M4
901051	12.7mm (0.500") x 18mm (0.709")	6.4mm (0.252")	M4