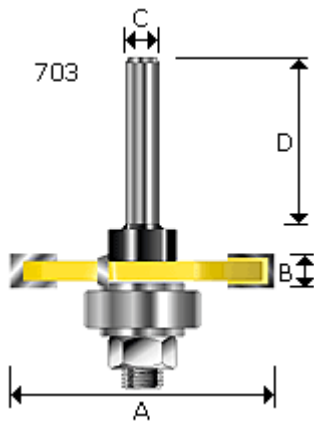


Name: 4-WINGS SLOTTING CUTTERS

Model:703 SERIES



FEATURES:

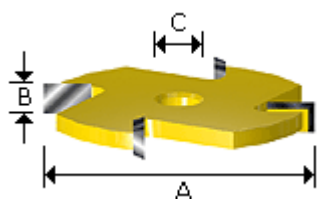
- Complete Assemblies (Bearing 22mm)
- 4-Wings SLOTTING CUTTERS Cutters Only
- ※Bearing 22mm

Specification:

Item No.	A	B	C	D
703211	2	3/32	1/4	1-1/4
703221	2	1/8	1/4	1-1/4
703231	2	5/32	1/4	1-1/4
703241	2	3/16	1/4	1-1/4
703251	2	1/4	1/4	1-1/4
703411	2	3/32	1/2	1-1/2
703421	2	1/8	1/2	1-1/2
703431	2	5/32	1/2	1-1/2
703441	2	3/16	1/2	1-1/2
703451	2	1/4	1/2	1-1/2

Name: 4-WINGS SLOTTING CUTTERS

Model:703 SERIES



FEATURES:

- Cutters Only

Specification:

Item No.	A	B	C
703811	2	3/32	5/16
703821	2	1/8	5/16
703831	2	5/32	5/16
703841	2	3/16	5/16
703851	2	1/4	5/16

Name: 3-WINGS SLOTTING CUTTERS**Model:704 SERIES**

FEATURES:

- Complete Assemblies (Bearing 22mm)
- 3-WINGS SLOTTING CUTTERS Cutters Only
- ※Bearing 22mm

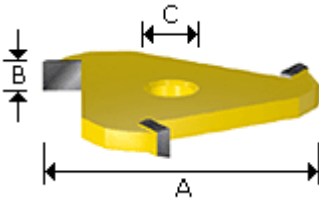
Specification:

Item No.	A	B	C	D
704211	1-7/8	3/32	1/4	1-1/4
704221	1-7/8	1/8	1/4	1-1/4
704231	1-7/8	5/32	1/4	1-1/4
704241	1-7/8	3/16	1/4	1-1/4
704251	1-7/8	1/4	1/4	1-1/4
704411	1-7/8	3/32	1/2	1-1/2
704421	1-7/8	1/8	1/2	1-1/2
704431	1-7/8	5/32	1/2	1-1/2
704441	1-7/8	3/16	1/2	1-1/2

704451	1-7/8	1/4	1/2	1-1/2
--------	-------	-----	-----	-------

Name: 3-WINGS SLOTTING CUTTERS

Model:704 SERIES



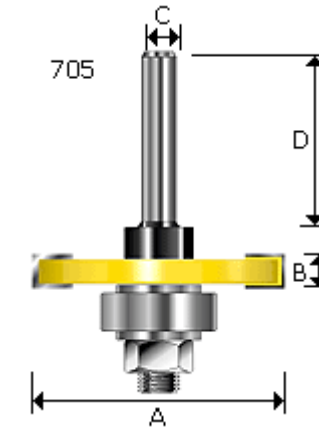
FEATURES:
Cutters Only

Specification:

Item No.	A	B	C
704811	1-7/8	3/32	5/16
704821	1-7/8	1/8	5/16
704831	1-7/8	5/32	5/16
704841	1-7/8	3/16	5/16
704851	1-7/8	1/4	5/16

Name: 2-WINGS SLOTTING CUTTERS

Model:705 SERIES



FEATURES:
Complete Assemblies (Bearing 22mm)
2-WINGS SLOTTING CUTTERS Cutters Only
※Bearing 22mm

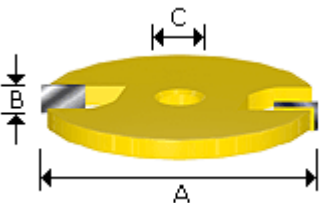
Specification:

Item No.	A	B	C	D
705211	1-7/8	3/32	1/4	1-1/4

705221	1-7/8	1/8	1/4	1-1/4
705231	1-7/8	5/32	1/4	1-1/4
705241	1-7/8	3/16	1/4	1-1/4
705251	1-7/8	1/4	1/4	1-1/4
705411	1-7/8	3/32	1/2	1-1/2
705421	1-7/8	1/8	1/2	1-1/2
705431	1-7/8	5/32	1/2	1-1/2
705441	1-7/8	3/16	1/2	1-1/2
705451	1-7/8	1/4	1/2	1-1/2

Name: 2-WINGS SLOTTING CUTTERS

Model:705 SERIES



FEATURES:
Cutters Only

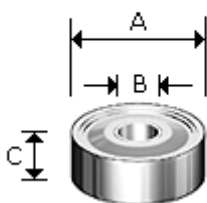
Specification:

Item No.	A	B	C
705811	1-7/8	3/32	5/16
705821	1-7/8	1/8	5/16
705831	1-7/8	5/32	5/16
705841	1-7/8	3/16	5/16
705851	1-7/8	1/4	5/16

Name: BALL BEARINGS

Model:706 SERIES

706 BALL BEARINGS



FEATURES:
Use rub collars over or under shaper cutters when shaping curved edges such as arch (cathedral) doors. Also used for template work and as cutting depth stops.

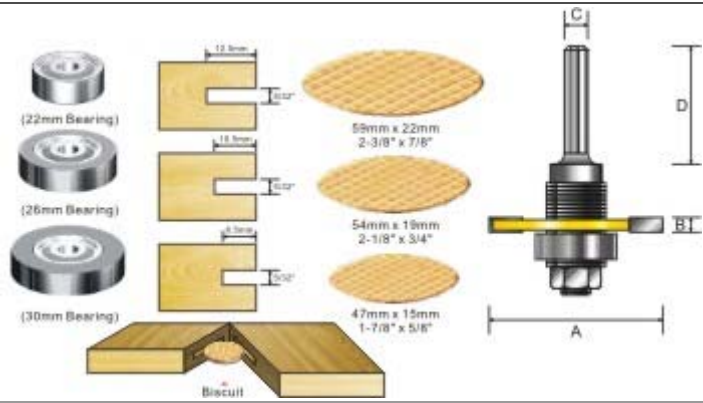
Specification:

Item No.	A inch	B inch	C inch
706011	1/4	1/8	3/32
706021	3/8	1/8	5/32
706031	3/8	3/16	1/8
706041	3/8	1/4	1/8
706051	1/2	3/16	3/16
706061	1/2	1/4	3/16
706069	5/8	3/16	3/16
706071	5/8	1/4	3/16
706079	3/4	3/16	3/16
706081	3/4	1/4	9/32
706091	3/4	1/2	3/16
706094	7/8	3/16	3/16
706097	1	3/16	3/16
706099	1-1/8	3/16	3/16
706101	1-1/8	1/2	5/16
706105	1-3/8	3/16	3/16
Item No.	A mm	B mm	C mm
706107	8	4	3
706109	16	8	5
706111	22	8	7
706116	28	8	9
706121	32	12	9.9
706131	42	25	9
706125	35	15	11

Name: BISCUIT JOINTING SET**Model:705 SERIES**

FEATURES:

Creating perfect slots for biscuit joining, easy and economical way to join wood.



Specification:

Item No.	A	B	C	D	Bearing
705921	1-27/32	5/32	1/4	1-1/4	22mm
					26mm
					30mm
705941	1-27/32	5/32	1/2	1-1/2	22mm
					26mm
					30mm

Name: BALL BEARING RUB COLLARS SERIES

Model:

FEATURES:



BALL BEARINGS RUB COLLARS

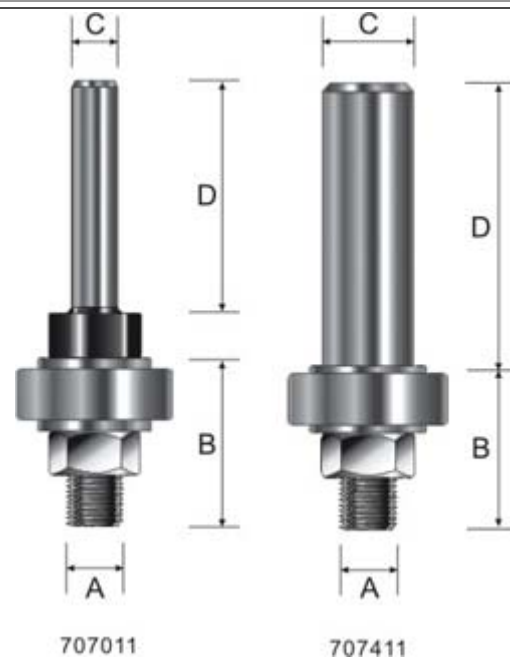
Specification:

Item No.	Outside Diameter	Inside Diameter
706141	1-1/8	1/2
706151	1-1/4	1/2
706161	1-3/8	1/2
706171	1-1/2	1/2
706181	1-5/8	3/4
706191	1-11/16	3/4
706201	1-3/4	3/4
706211	1-7/8	3/4
706221	2	3/4
706231	2-1/8	3/4
706241	2-3/16	3/4
706251	2-5/8	3/4
706261	2-15/16	3/4

Name: ARBORS (Bearing 22mm)

Model:707 SERIES

FEATURES:



Specification:

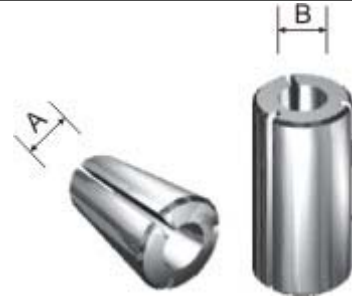
Bearing 22mm

Item No.	A	B	C	D
707011	5/16	15/16	1/4	1-1/4
707411	5/16	15/16	1/2	1-1/2

Name: ROUTER COLLET REDUCERS

Model:708 SERIES

FEATURES:



Specification:

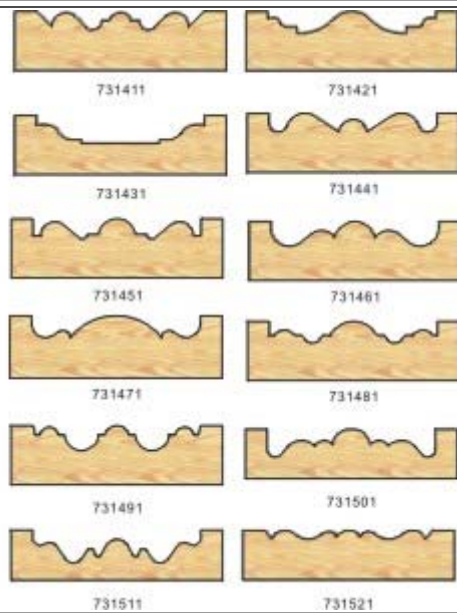
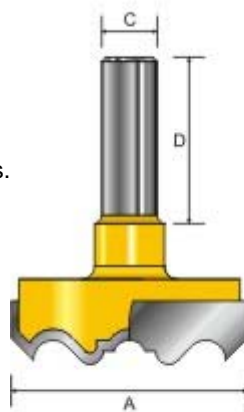
Item No.	A Outside Dia.	B Inside Dia.
708011	1/2	1/4
708021	1/2	3/8
708031	1/2	12mm

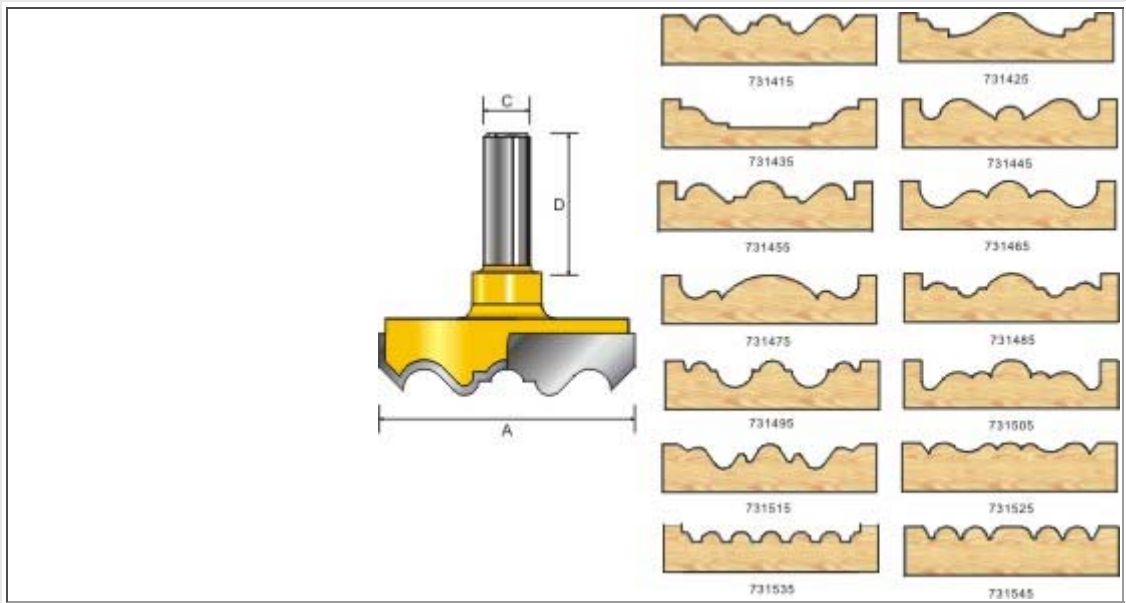
Name: ROSETTE CUTTERS

Model:731 SERIES

FEATURES:

Milled from a solid steel blank, these carbide-tipped, 1/2" shank rosette cutters mke crisp rosettes in most hardwoods and softwoods. Although these cutters look like oversized router bits, they are too big for normal router speeds and are designed for use with your variable speed drill press or lathe.





Specification:

Item No.	A	C	D
731411	2-1/8	1/2	1-1/2
731421	2-1/8	1/2	1-1/2
731431	2-1/8	1/2	1-1/2
731441	2-1/8	1/2	1-1/2
731451	2-1/8	1/2	1-1/2
731461	2-1/8	1/2	1-1/2
731471	2-1/8	1/2	1-1/2
731481	2-1/8	1/2	1-1/2
731491	2-1/8	1/2	1-1/2
731501	2-1/8	1/2	1-1/2
731511	2-1/8	1/2	1-1/2
731521	2-1/8	1/2	1-1/2
731531	2-1/8	1/2	1-1/2
731541	2-1/8	1/2	1-1/2
731415	2-3/4	1/2	1-1/2
731425	2-3/4	1/2	1-1/2
731435	2-3/4	1/2	1-1/2
731445	2-3/4	1/2	1-1/2
731455	2-3/4	1/2	1-1/2

731465	2-3/4	1/2	1-1/2
731475	2-3/4	1/2	1-1/2
731485	2-3/4	1/2	1-1/2
731495	2-3/4	1/2	1-1/2
731505	2-3/4	1/2	1-1/2
731515	2-3/4	1/2	1-1/2
731525	2-3/4	1/2	1-1/2
731535	2-3/4	1/2	1-1/2
731545	2-3/4	1/2	1-1/2