

Name: BACK CUTTER

Model:407 SERIES

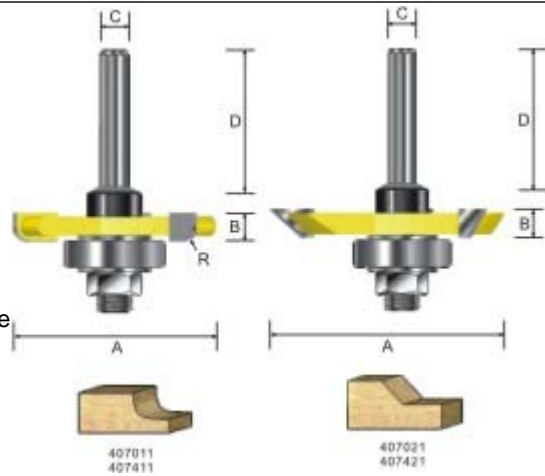
FEATURES:

An economical and safe way to put back profiles on raised panels with your router.

These specially designed cutters makes it easy to add a 1/8" radius or 45° bevel to the backsides of panel tongues for decorative appearance, reducing the exposed upper panel profile or providing a precise panel tongue fit.

3 flutes, ball bearing guide

*Bearing 22mm



Specification:

| Item No. | A | B | C | D | R | DEGREE OF ANGLE |
|----------|-------|-----|-----|-------|-----|-----------------|
| 407011 | 2-1/8 | 1/4 | 1/4 | 1-1/4 | 1/8 | |
| 407021 | 2-1/8 | 1/4 | 1/4 | 1-1/4 | | 45° |
| 407411 | 2-1/8 | 1/4 | 1/2 | 1-1/2 | 1/8 | |
| 407421 | 2-1/8 | 1/4 | 1/2 | 1-1/2 | | 45° |

Name: RAIL & STILE BIT SET (CLASSICAL)

Model:408 SERIES

FEATURES:

Two pieces Rail & stile sets are factory set to guarantee you a perfect fitting joint every time.

The image shows two pieces of the Rail & Stile Bit Set (408), a rail bit and a stile bit, with their dimensions labeled: A (width), B (height), C (flute width), D (total height), and R (radius). To the left is a cross-section of the resulting joint between a rail and a stile.

Specification:

| *Bearing 22mm | | | | | |
|---------------|---------|--------|-----|-------|------|
| Item No. | A | B | C | D | R |
| 408411 | 1-31/32 | 1-1/16 | 1/2 | 1-3/4 | 9/32 |
| 408421 | 1-31/32 | 1-1/16 | 1/2 | 1-3/4 | 9/32 |

Name: REVERSIBLE RAIL & STILE BITS (OGEE) 22mm bearing

Model:409 SERIES

409011

FEATURES:

Make perfect professional looking cabinet door every time. This cutter can be used to make square edge or arch pattern doors without the need for a fence.

One bit cuts the rail and stile profiles. Simply remove the heads and reverse the positions. (Chamfer, Traditional, Classical)

Specification:

| *Bearing 22mm | | | | | |
|---------------|-------|-------|-----|-------|-----|
| Item No. | A | B | C | D | E |
| 409011 | 1-5/8 | 15/16 | 1/4 | 1-1/4 | 3/8 |
| 409411 | 1-5/8 | 15/16 | 1/2 | 1-1/2 | 3/8 |

Name: REVERSIBLE RAIL & STILE BITS (OGEE) 22mm bearing

Model:409 SERIES

409021

FEATURES:

Make perfect professional looking cabinet door every time. This cutter can be used to make square edge or arch pattern doors without the need for a fence.

One bit cuts the rail and stile profiles. Simply remove the heads and reverse the positions.
(Chamfer, Traditional, Classical)

Specification:

| *Bearing 22mm | | | | | |
|---------------|-------|-------|-----|-------|-----|
| Item No. | A | B | C | D | E |
| 409021 | 1-5/8 | 15/16 | 1/4 | 1-1/4 | 3/8 |
| 409421 | 1-5/8 | 15/16 | 1/2 | 1-1/2 | 3/8 |

Name: REVERSIBLE RAIL & STILE BITS (OGEE) 22mm bearing

Model:409 SERIES

409431

FEATURES:

Make perfect professional looking cabinet door every time. This cutter can be used to make square edge or arch pattern doors without the need for a fence.

One bit cuts the rail and stile profiles. Simply remove the heads and reverse the positions.
(Chamfer, Traditional, Classical)

Specification:

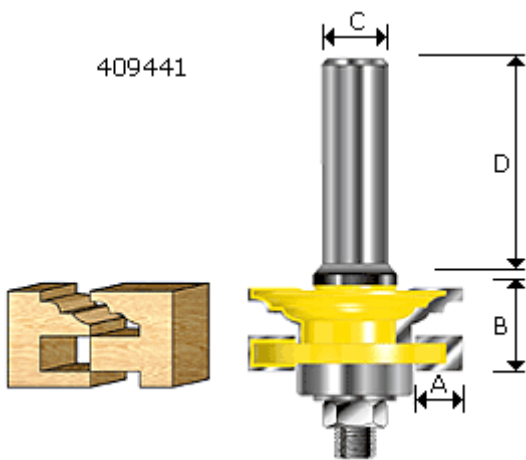
| | | | | | |
|---------------|--|--|--|--|--|
| *Bearing 22mm | | | | | |
|---------------|--|--|--|--|--|

| Item No. | A | B | C | D | E |
|----------|-------|-------|-----|-------|-----|
| 409031 | 1-5/8 | 15/16 | 1/4 | 1-1/4 | 3/8 |
| 409431 | 1-5/8 | 15/16 | 1/2 | 1-1/2 | 3/8 |

Name: REVERSIBLE RAIL & STILE BITS (OGEE) 22mm bearing

Model:409 SERIES

409441



FEATURES:

Make perfect professional looking cabinet door every time. This cutter can be used to make square edge or arch pattern doors without the need for a fence.

One bit cuts the rail and stile profiles. Simply remove the heads and reverse the positions. (Chamfer, Traditional, Classical)

Specification:

| *Bearing 22mm | | | | | |
|---------------|-----|-------|-----|-------|-----|
| Item No. | A | B | C | D | E |
| 409041 | 3/8 | 15/16 | 1/4 | 1-1/4 | 3/8 |
| 409441 | 3/8 | 15/16 | 1/2 | 1-1/2 | 3/8 |

Name: REVERSIBLE RAIL & STILE ASSEMBLY (ROUND) 22mm bearing

Model:409 SERIES

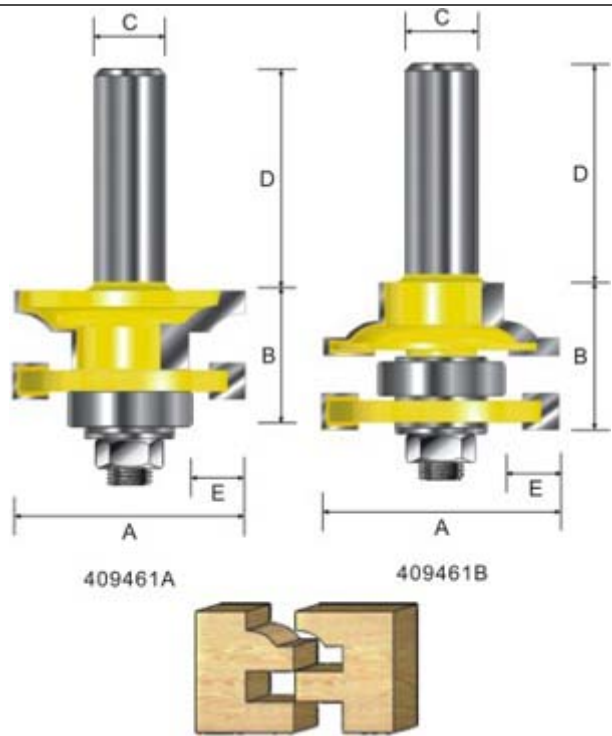
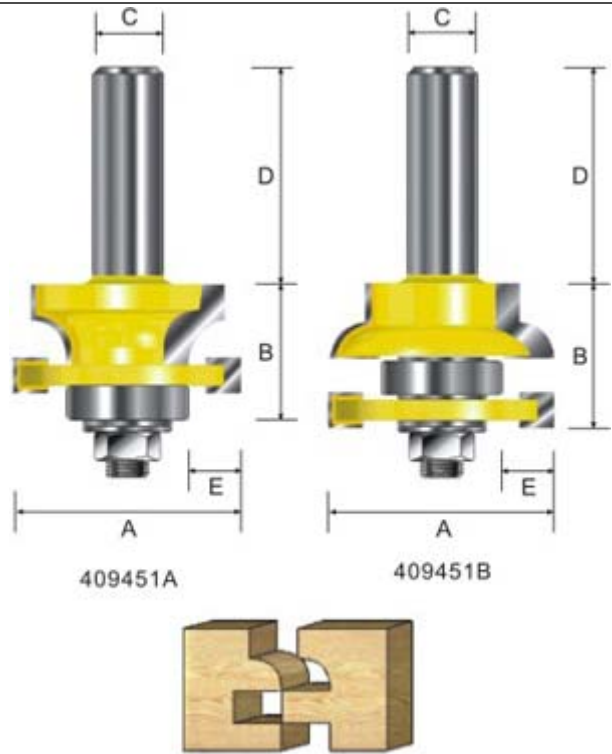
FEATURES:

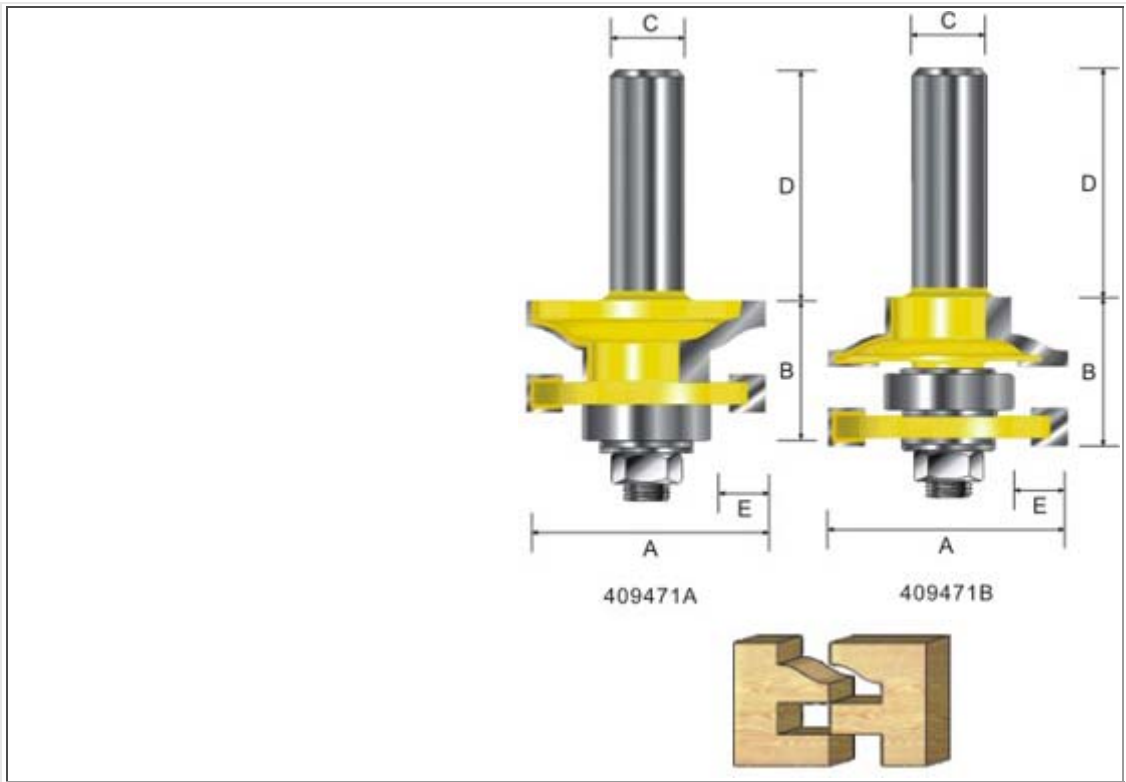
Two pieces Rail & Stile sets are factory set to guarantee you a perfect fitting joint every time.

Features a center bearing design. Slot cutters can be easily removed for replacement or converting set to make glass doors. (BEAD.

OGEE)

*Bearing 22mm





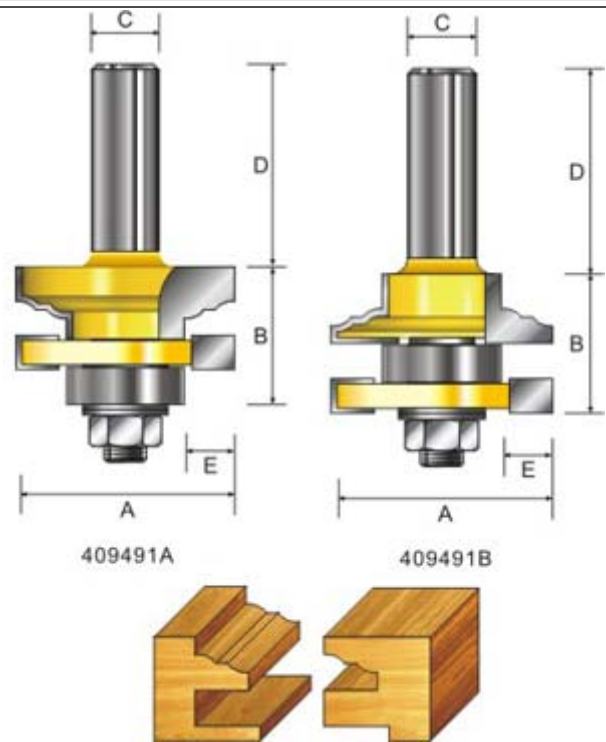
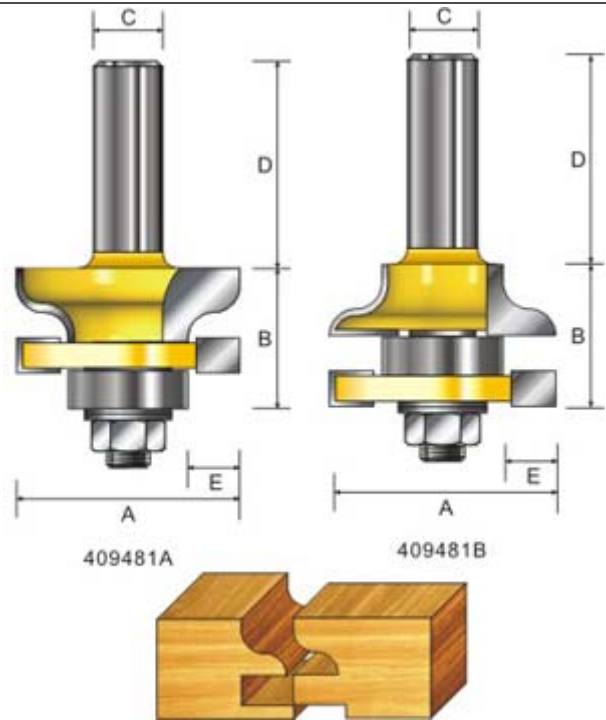
Specification:

| *Bearing 22mm | | | | | |
|---------------|-------|---|-----|-------|-----|
| Item No. | A | B | C | D | E |
| 409451 | 1-5/8 | 1 | 1/2 | 1-1/2 | 3/8 |
| 409461 | 1-5/8 | 1 | 1/2 | 1-1/2 | 3/8 |
| 409471 | 1-5/8 | 1 | 1/2 | 1-1/2 | |

Name: REVERSIBLE RAIL & STILE ASSEMBLY (ROUND) 22mm bearing

Model:409 SERIES

FEATURES:



Specification:

| Item No. | A | B | C | D | E | Bearing |
|----------|-------|---|-----|-------|-----|---------|
| 409481 | 1-5/8 | 1 | 1/2 | 1-1/2 | 3/8 | 22mm |
| 409491 | 1-5/8 | 1 | 1/2 | 1-1/2 | 3/8 | 22mm |

Name: RAIL & STILE BIT SET

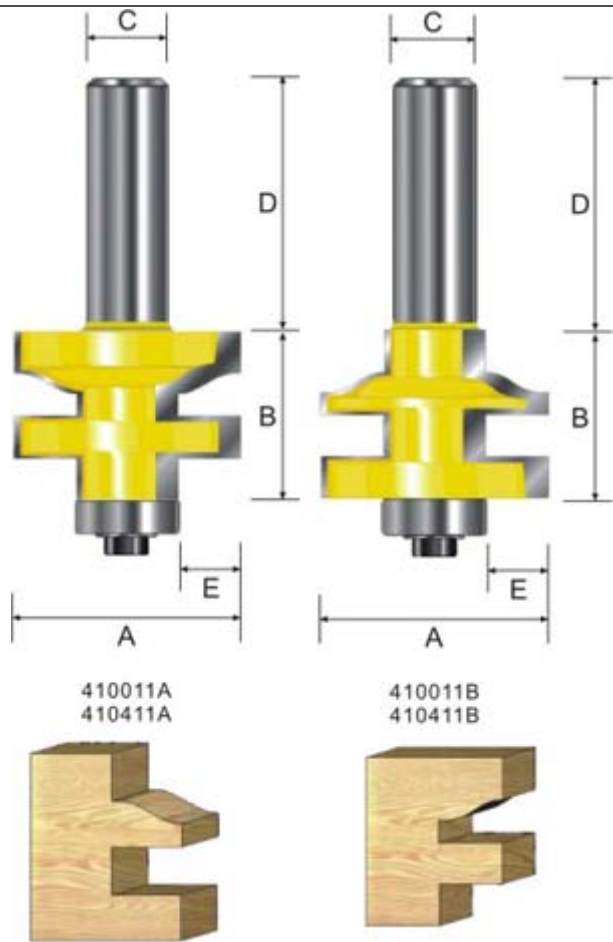
Model:410 SERIES

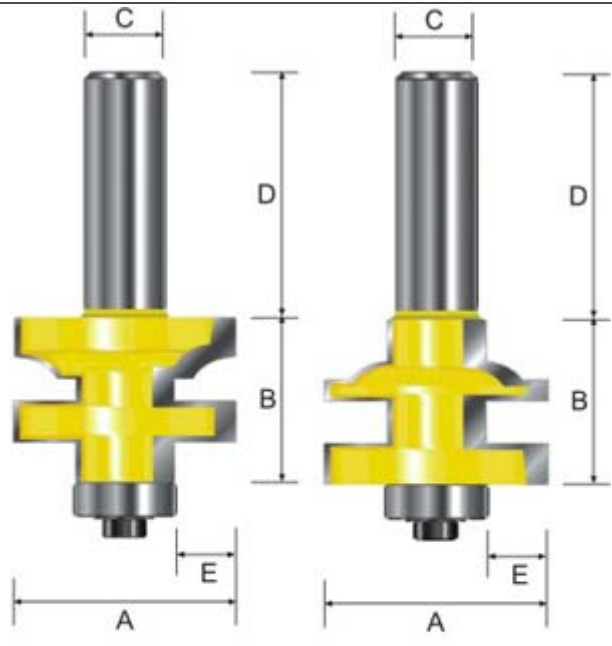
FEATURES:

Two pieces Rail & Stile sets are factory set to guarantee you a perfect fitting joint every time.

(OGEE, BEAD, TRADITIONAL, CLASSICAL, ROUND)

Bearing 5/8"

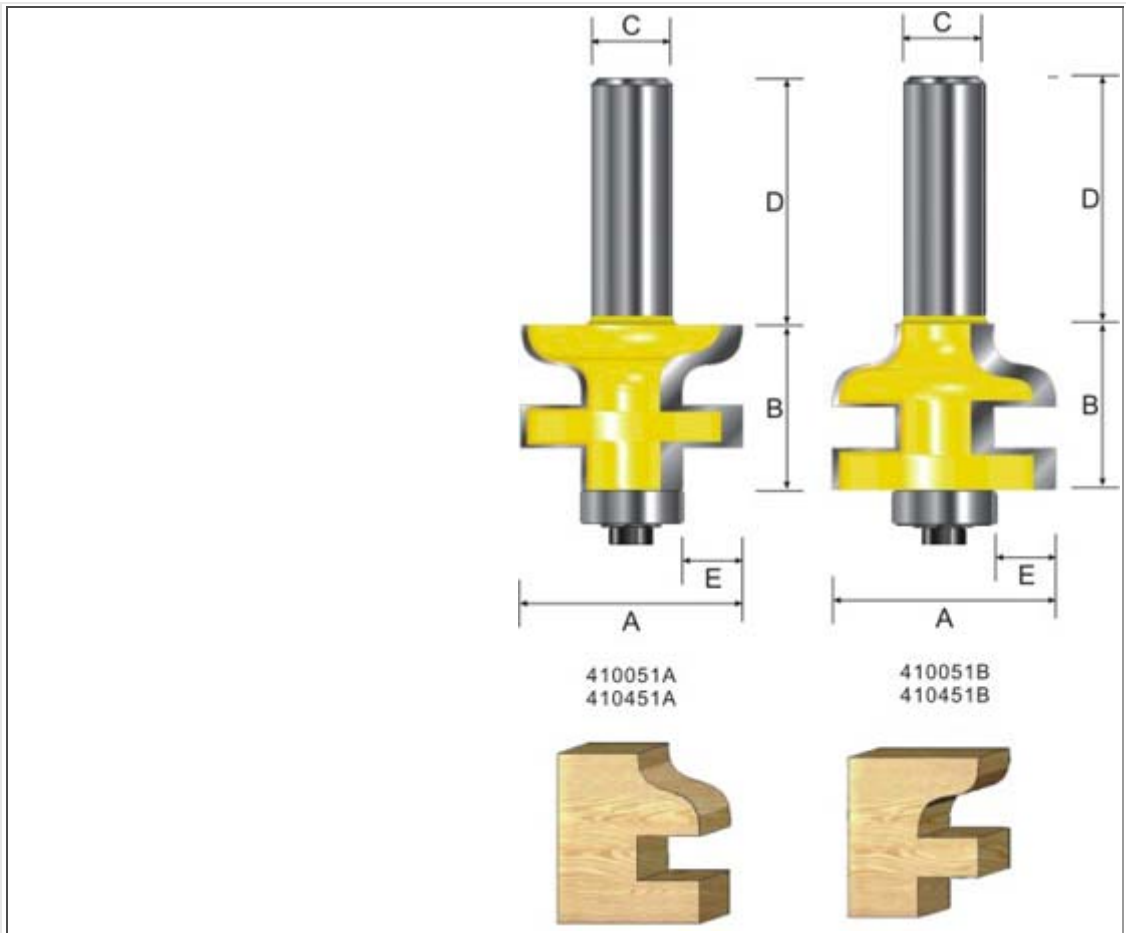




410031A
410431A

410031B
410431B





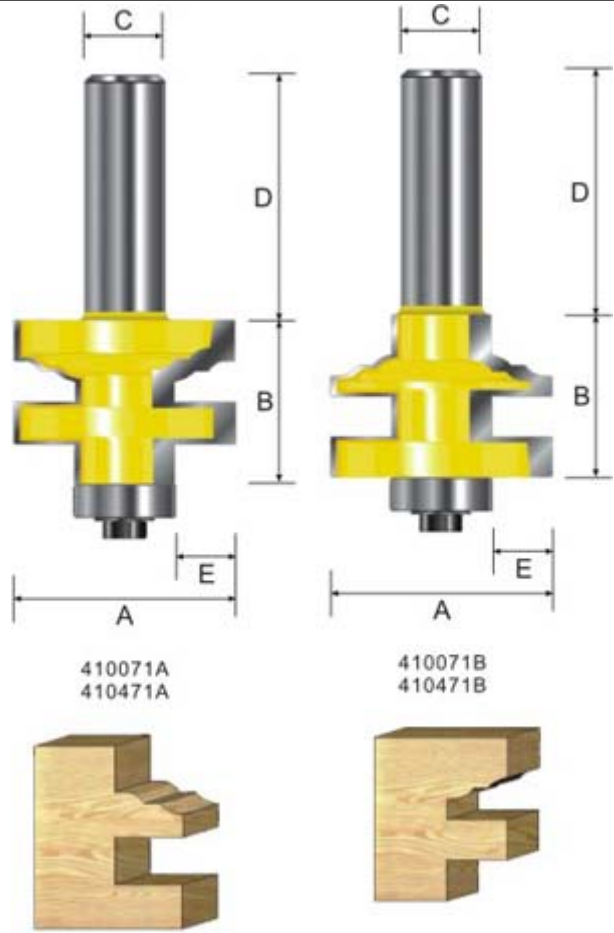
Specification:

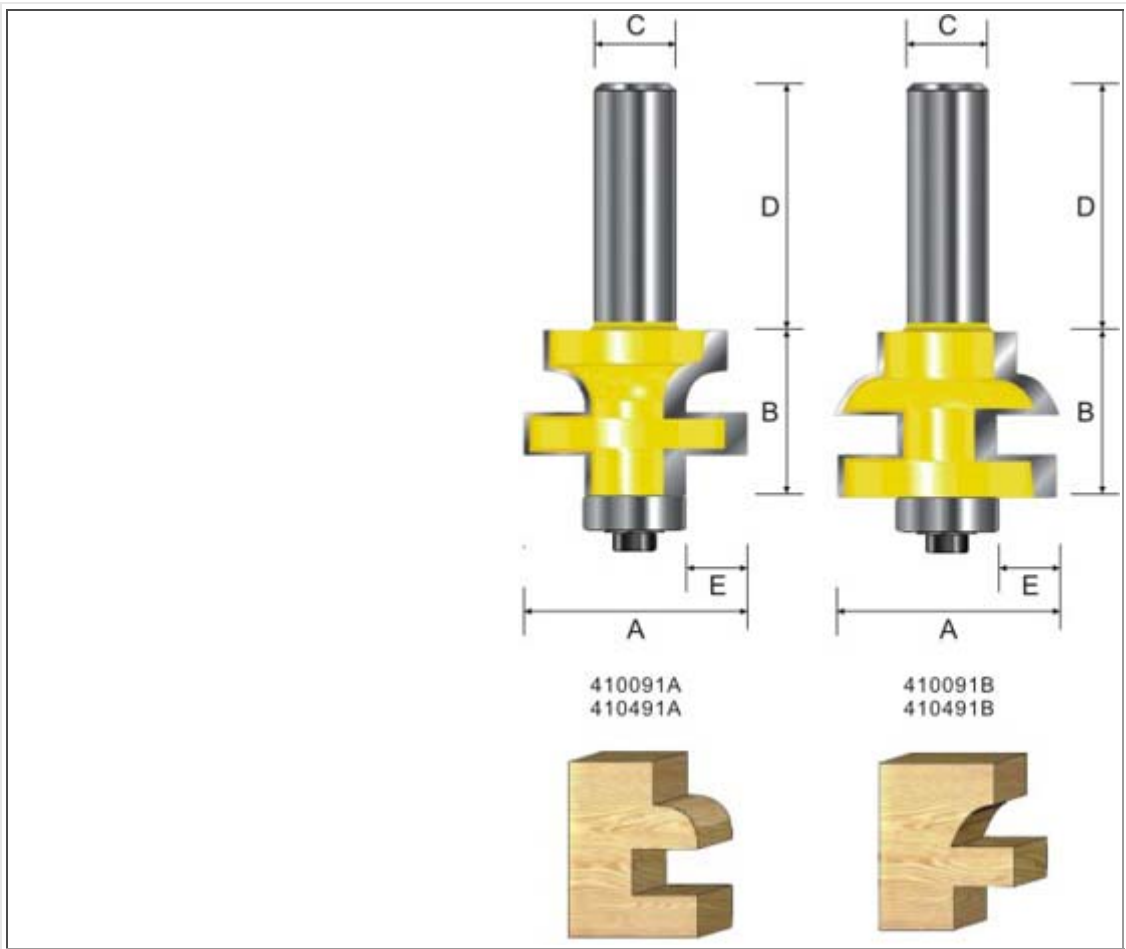
| Bearing 5/8 | | | | | |
|-------------|-------|---|-----|-------|-----|
| Item No. | A | B | C | D | E |
| 410011 | 1-3/8 | 1 | 1/4 | 1-1/4 | 3/8 |
| 410411 | 1-3/8 | 1 | 1/2 | 1-1/2 | 3/8 |
| 410031 | 1-3/8 | 1 | 1/4 | 1-1/4 | 3/8 |
| 410431 | 1-3/8 | 1 | 1/2 | 1-1/2 | 3/8 |
| 410051 | 1-3/8 | 1 | 1/4 | 1-1/4 | 3/8 |
| 410451 | 1-3/8 | 1 | 1/2 | 1-1/2 | 3/8 |

Name: RAIL & STILE BIT SET

Model:410 SERIES

FEATURES:





Specification:

| Bearing 5/8" | | | | | |
|--------------|-------|---|-----|-------|-----|
| Item No. | A | B | C | D | E |
| 410071 | 1-3/8 | 1 | 1/4 | 1-1/4 | 3/8 |
| 410471 | 1-3/8 | 1 | 1/2 | 1-1/2 | 3/8 |
| 410091 | 1-3/8 | 1 | 1/4 | 1-1/4 | 3/8 |
| 410491 | 1-3/8 | 1 | 1/2 | 1-1/2 | 3/8 |

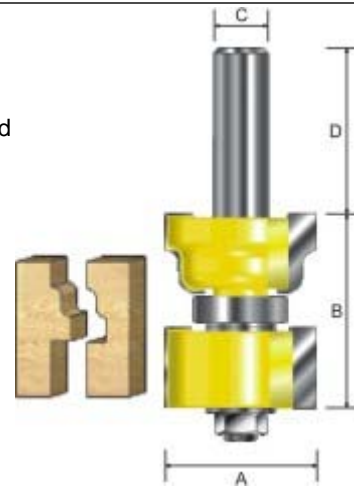
Name: REVERSIBLE WINDOW SASH & DOOR ASSEMBLY

Model:411 SERIES

FEATURES:

This reversible sash cutter allows you to make both rail and stile cuts with a bearing guide. No fence required. Great for cathedral arch or odd shaped doors and windows.

Bearing 22mm



Specification:

| Item No. | A | B | C | D |
|----------|-------|-------|-----|-------|
| 411411 | 1-3/8 | 1-3/4 | 1/2 | 1-1/2 |

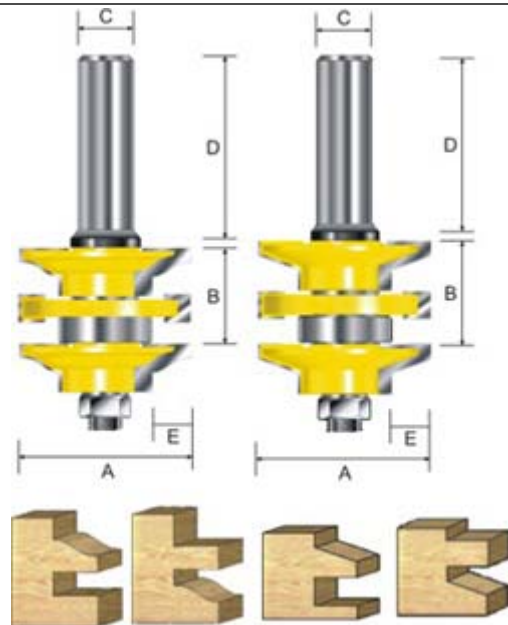
Name: DOUBLE, REVERSIBLE STILE & RAIL ASSEMBLY

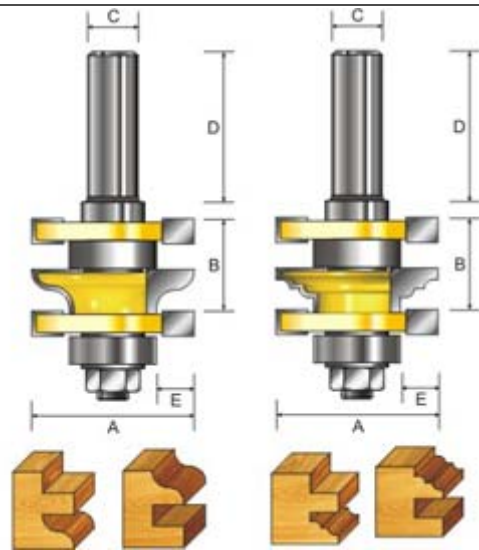
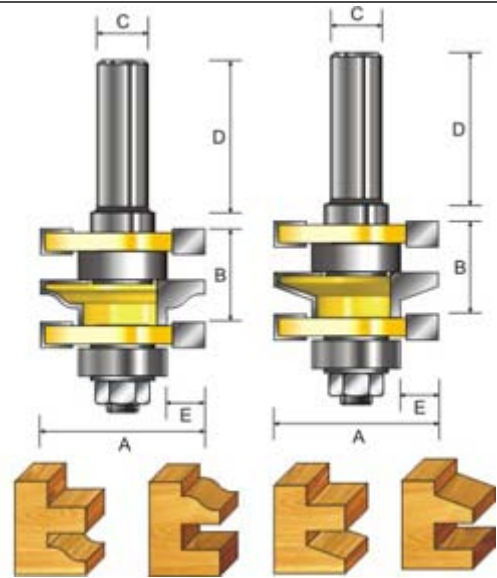
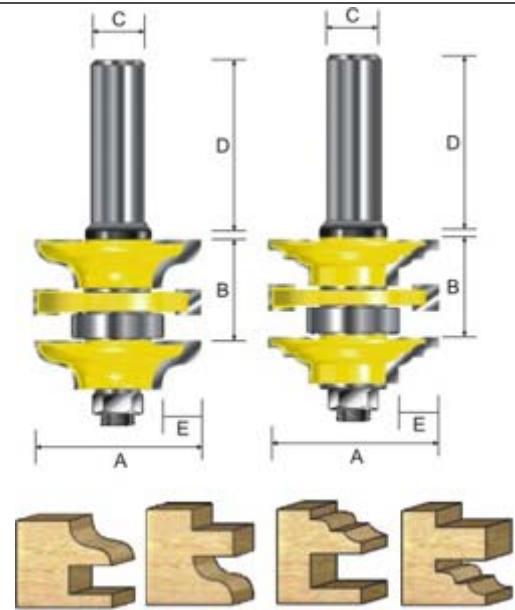
Model:412 SERIES

FEATURES:

(CHAMFER, TRADITIONAL, CLASSICAL, OGEE)

Double Stile & Rail for a very effective profile to use with several of the panel raising cutters. Without the need to dismantle and reverse the components of these cutters the same joints as described in the previous cutters for the frame and panel doors can be achieved simply by raising or lowering the cutter height in the table, making for a much faster production rate.





Specification:

| Bearing 22mm | | | | | |
|--------------|-------|-------|-----|-------|-----|
| Item No. | A | B | C | D | E |
| 412411 | 1-5/8 | 15/16 | 1/2 | 1-1/2 | 3/8 |
| 412412 | 1-5/8 | 15/16 | 1/2 | 1-1/2 | 3/8 |
| 412413 | 1-5/8 | 15/16 | 1/2 | 1-1/2 | 3/8 |
| 412414 | 1-5/8 | 15/16 | 1/2 | 1-1/2 | 3/8 |
| 412421 | 1-5/8 | 29/32 | 1/2 | 1-1/2 | 3/8 |
| 412422 | 1-5/8 | 29/32 | 1/2 | 1-1/2 | 3/8 |
| 412423 | 1-5/8 | 29/32 | 1/2 | 1-1/2 | 3/8 |
| 412424 | 1-5/8 | 29/32 | 1/2 | 1-1/2 | 3/8 |

Name: REVERSIBLE COMBINATION RAIL & STILE SHAPER CUTTERS

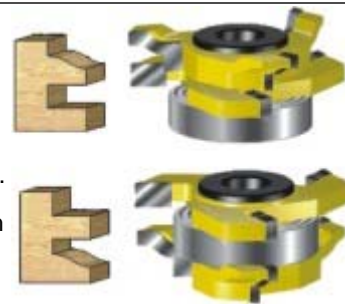
Model:413 SERIES

FEATURES:

3 flute, carbide tipped with a 3/4" bore and supplied with a 1/2" bushing and a totally enclosed ball bearing guide.

An economical alternative way to produce rail & stiles for cabinet doors.

Works with stock from 11/16" to 7/8" thick, simply rabbet out the bottom of the rail end. Complete instructions sre provided.



Specification:

| Item No. | Description | Large Diameter |
|----------|---------------------------------|----------------|
| 413611 | Rail & Stile Cutter for Shapers | 2-1/2 |

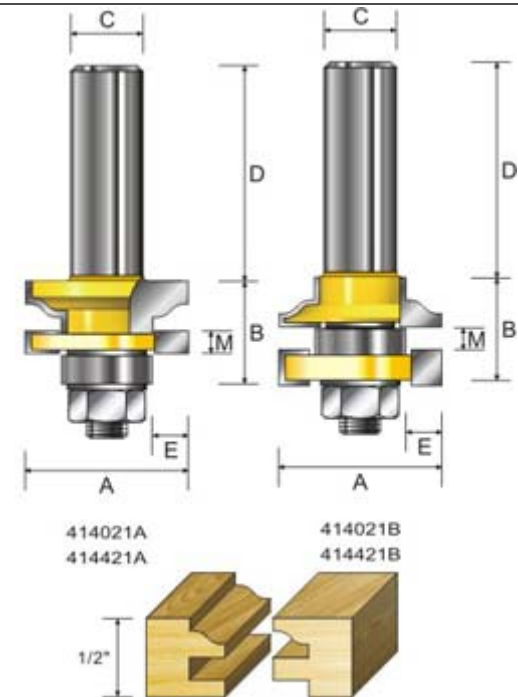
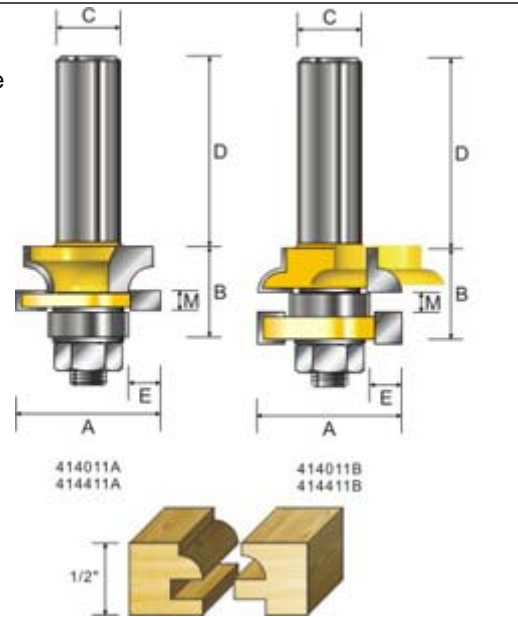
Name: REVERSIBLE RAIL & STILE ASSEMBLY

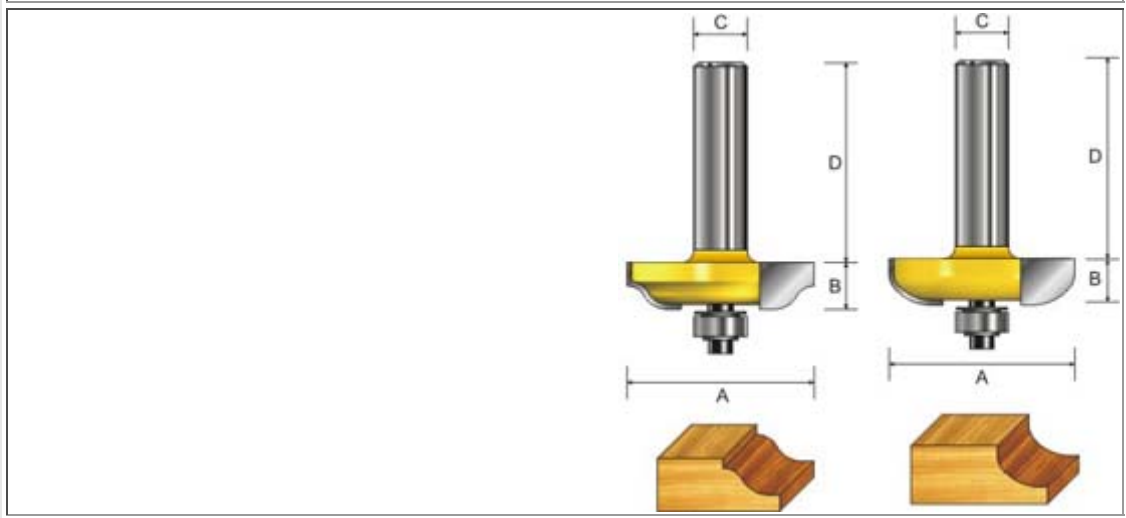
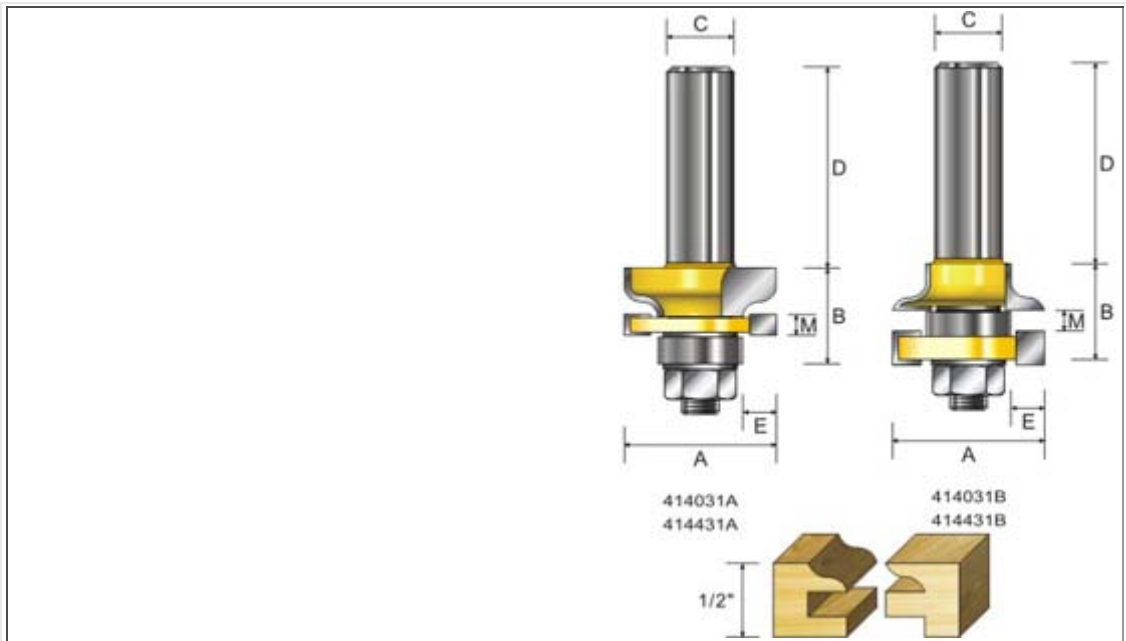
Model:414 SERIES

FEATURES:

Two pieces Rail & Slite sets are factory set to guarantee you a perfect fitting joint every time. Features a center bearing design. Slot cutters can be easily removed for replacement or converting set to make glass doors.

Same as 409 series but size is smaller.





Specification:

| Item No. | A | B | C | D | E | M | Bearing |
|----------|-------|------|-----|-------|-----|------|---------|
| 414011 | 1-1/8 | 3/4 | 1/4 | 1-1/4 | 1/4 | 5/32 | 16mm |
| 414411 | 1-1/8 | 3/4 | 1/2 | 1-1/2 | 1/4 | 5/32 | 16mm |
| 414021 | 1-1/8 | 3/4 | 1/4 | 1-1/4 | 1/4 | 5/32 | 16mm |
| 414421 | 1-1/8 | 3/4 | 1/2 | 1-1/2 | 1/4 | 5/32 | 16mm |
| 414031 | 1-1/8 | 3/4 | 1/4 | 1-1/4 | 1/4 | 5/32 | 16mm |
| 414431 | 1-1/8 | 3/4 | 1/2 | 1-1/2 | 1/4 | 5/32 | 16mm |
| 414061 | 1-3/4 | 7/16 | 1/4 | 1-1/2 | | | 1/2 |
| 414461 | 1-3/4 | 7/16 | 1/2 | 1-3/4 | | | 1/2 |
| 414071 | 1-3/4 | 7/16 | 1/4 | 1-1/2 | | | 1/2 |

| | | | | | | |
|--------|-------|------|-----|-------|--|-----|
| 414471 | 1-3/4 | 7/16 | 1/2 | 1-3/4 | | 1/2 |
|--------|-------|------|-----|-------|--|-----|

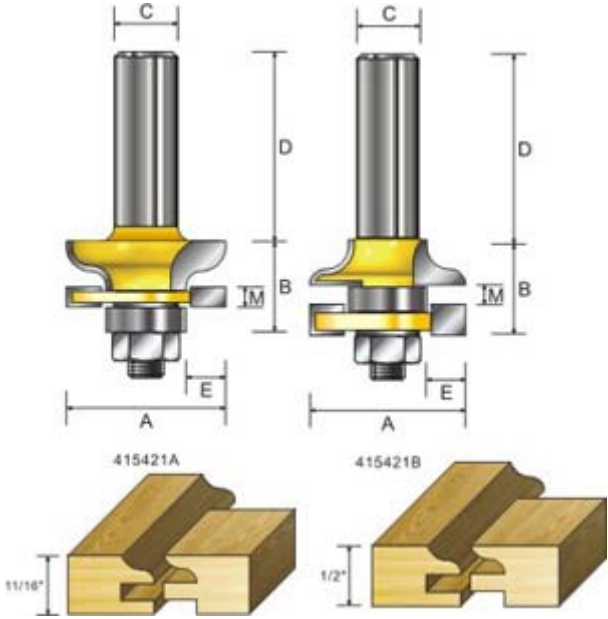
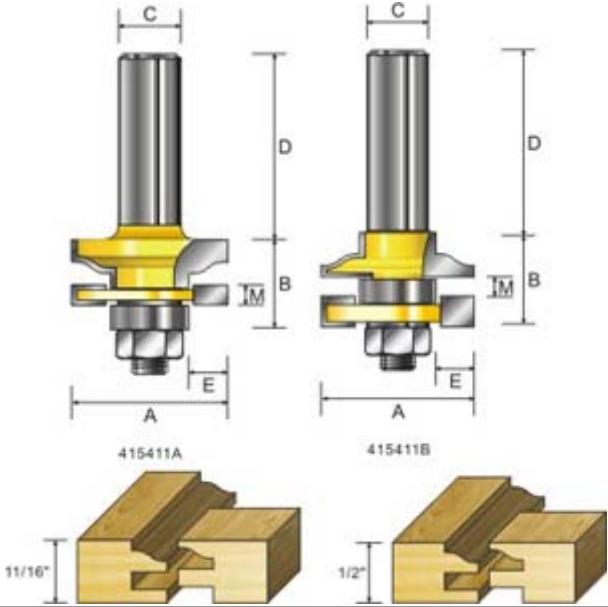
Name: JUNIOR RAIL STILE SET

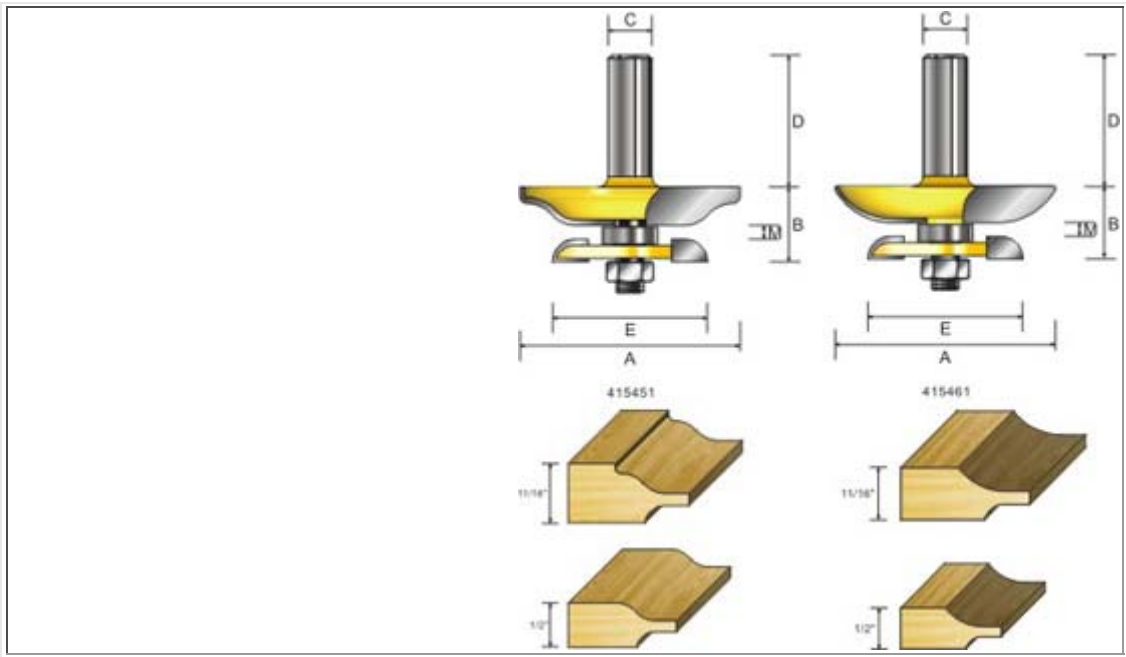
Model:415 SERIES

FEATURES:

The ogee matched pair of the Rail & Stile Set mill tight fitting joints in one of our most popular profiles and is perfect for working in material from 7/16" to 11/16" thick.

Now you can make decorative flat panel construction or team this pair up with the new Junior Raised Panel Bit for the ultimate miniature frames and panels.





Specification:

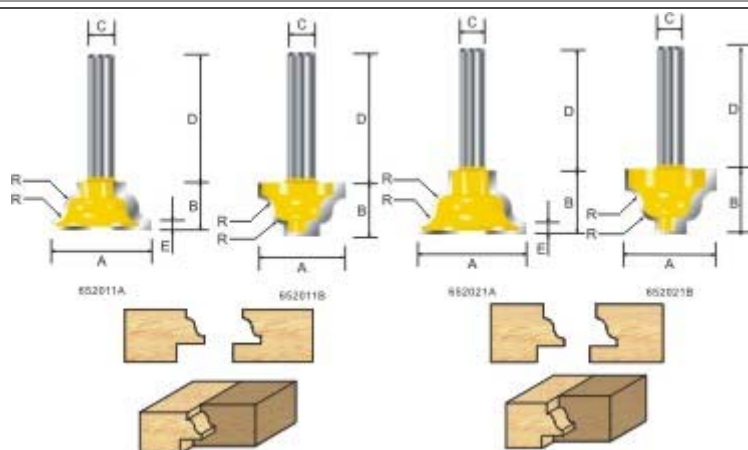
| Item No. | A | B | C | D | E | M | Bearing |
|----------|-------|-------|-----|-------|-------|------|---------|
| 415411 | 1-1/4 | 3/4 | 1/2 | 1-1/2 | 5/16 | 5/32 | 16mm |
| 415421 | 1-1/4 | 3/4 | 1/2 | 1-1/2 | 5/16 | 5/32 | 16mm |
| 415451 | 2-1/2 | 27/32 | 1/2 | 1-1/2 | 1-3/4 | 5/32 | 16mm |
| 415461 | 2-1/2 | 53/64 | 1/2 | 1-1/2 | 1-3/4 | 5/32 | 16mm |

Name: STILE & RAIL SET

Model:652 SERIES

FEATURES:

Unique series of matching miniature Ogee cutters for stile and rail. These are not supplied with ball bearing guides and the stile cutters may be used for decorative plunge cuts. Tenon & groove cuts must be cut separately.



Specification:

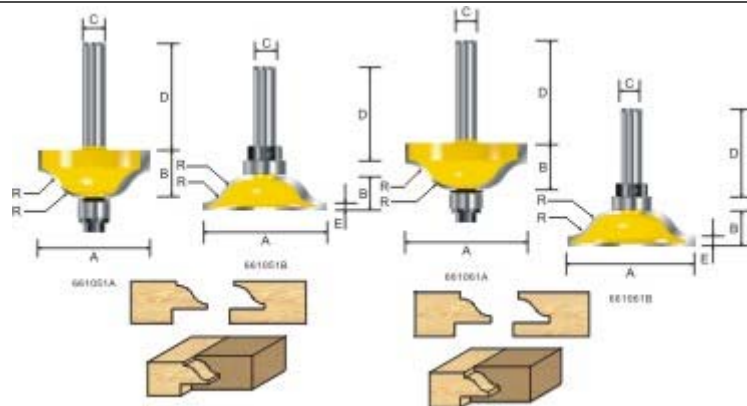
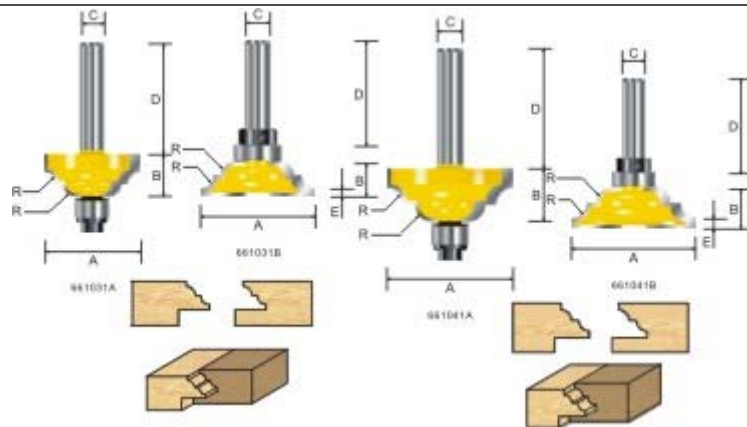
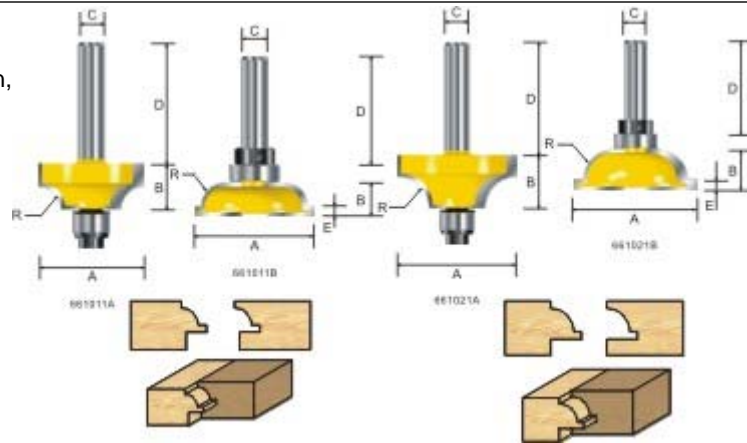
| Item No. | A | B | C | D | E | R |
|----------|-------|-------|-----|-------|------|------|
| 652011A | 63/64 | 15/32 | 1/4 | 1-1/4 | 3/32 | 1/8 |
| 652011B | 53/64 | 33/64 | 1/4 | 1-1/4 | | 1/8 |
| 652021A | 1-1/8 | 21/32 | 1/4 | 1-1/4 | 1/8 | 5/32 |
| 652021B | 15/16 | 43/64 | 1/4 | 1-1/4 | | 5/32 |

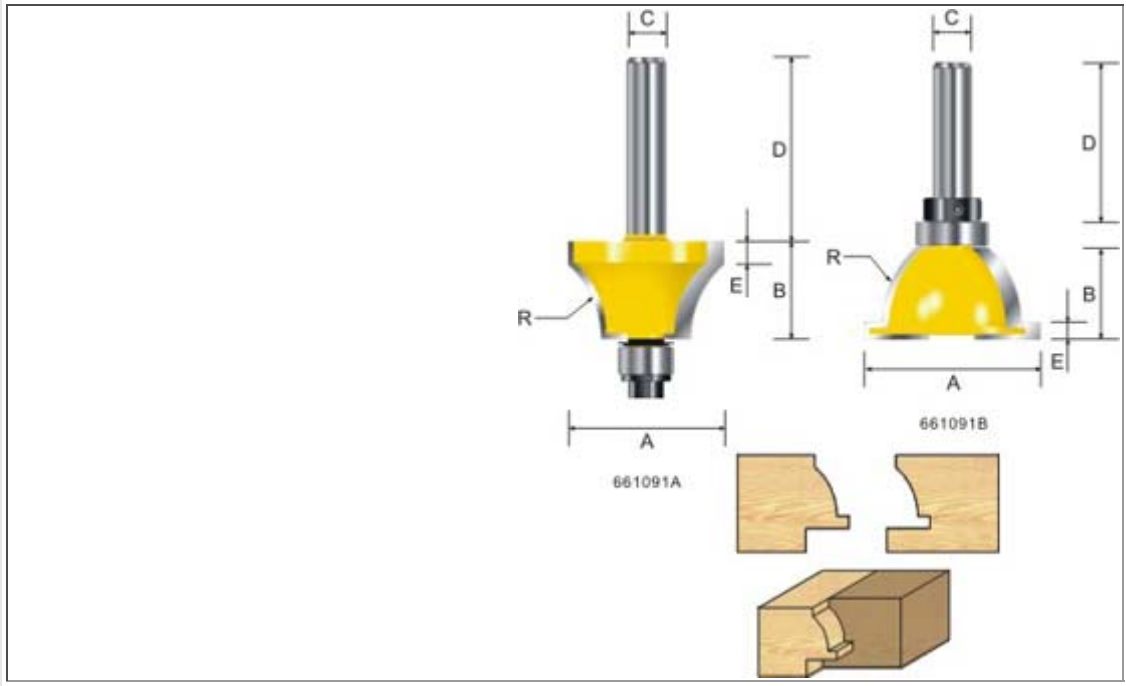
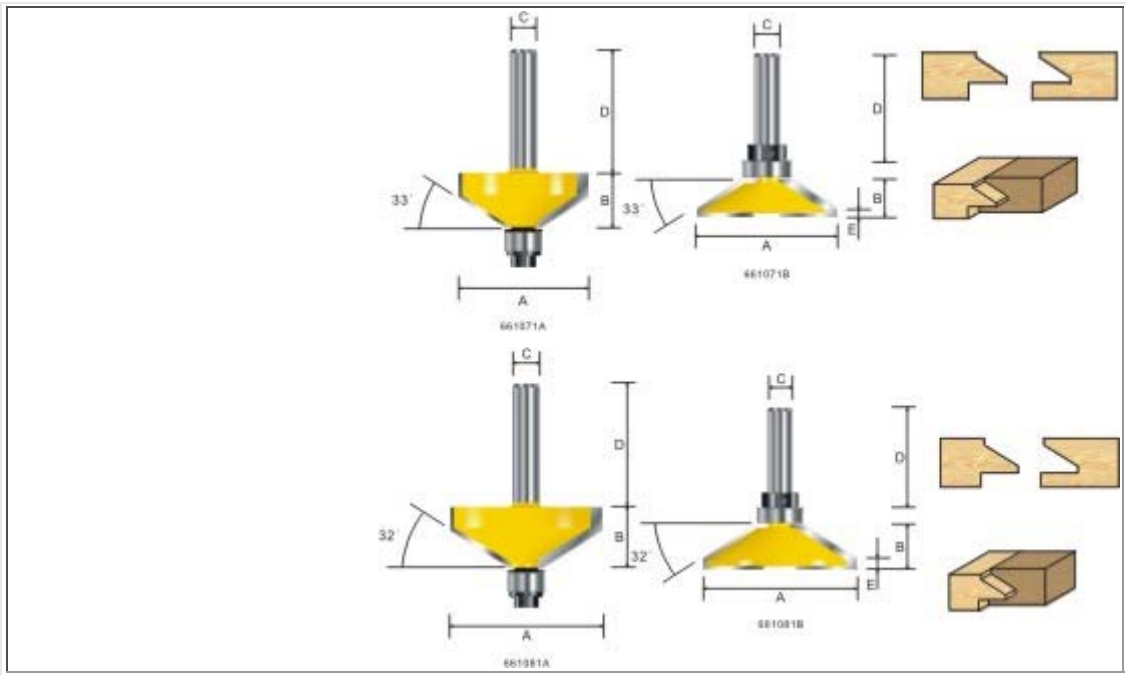
Name: STILE & RAIL SET

Model:661 SERIES

FEATURES:

For door and window construction, decorative paneling and many other joinery applications.





Specification:

| Item No. | A | B | C | D | E | R | Bearing |
|----------|---------|-------|-----|-------|------|-------|---------|
| 661011A | 1-5/64 | 15/32 | 1/4 | 1-1/4 | | 15/64 | 3/8 |
| 661011B | 1-13/64 | 21/64 | 1/4 | 1-1/4 | 3/32 | 15/64 | 1/2 |
| 661021A | 1-5/16 | 19/32 | 1/4 | 1-1/4 | | 23/64 | 3/8 |
| 661021B | 1-7/16 | 15/32 | 1/4 | 1-1/4 | 1/8 | 23/64 | 1/2 |
| 661031A | 1-5/64 | 15/32 | 1/4 | 1-1/4 | | 9/64 | 3/8 |

| | | | | | | | |
|---------|---------|-------|-----|-------|------|-------|-----|
| 661031B | 1-13/64 | 23/64 | 1/4 | 1-1/4 | 5/64 | 9/64 | 1/2 |
| 661041A | 1-5/16 | 35/64 | 1/4 | 1-1/4 | | 11/64 | 3/8 |
| 661041B | 1-7/16 | 15/32 | 1/4 | 1-1/4 | 1/8 | 11/64 | 1/2 |
| 661051A | 1-5/16 | 35/64 | 1/4 | 1-1/4 | | 21/64 | 3/8 |
| 661051B | 1-7/16 | 25/64 | 1/4 | 1-1/4 | 5/64 | 21/64 | 1/2 |
| 661061A | 1-15-32 | 35/64 | 1/4 | 1-1/4 | | 21/64 | 3/8 |
| 661061B | 1-19/32 | 7/16 | 1/4 | 1-1/4 | 1/8 | 21/64 | 1/2 |
| 661071A | 1-5/16 | 35/64 | 1/4 | 1-1/4 | | | 3/8 |
| 661071B | 1-7/16 | 25/64 | 1/4 | 1-1/4 | 5/64 | | 1/2 |
| 661081A | 1-35/64 | 39/64 | 1/4 | 1-1/4 | | | 3/8 |
| 661081B | 1-43/64 | 1/2 | 1/4 | 1-1/4 | 1/8 | | 1/2 |
| 661091A | 1-1/16 | 43/64 | 1/4 | 1-1/4 | 5/32 | 43/64 | 3/8 |
| 661091B | 1-13/64 | 41/64 | 1/4 | 1-1/4 | 1/8 | 43/64 | 1/2 |