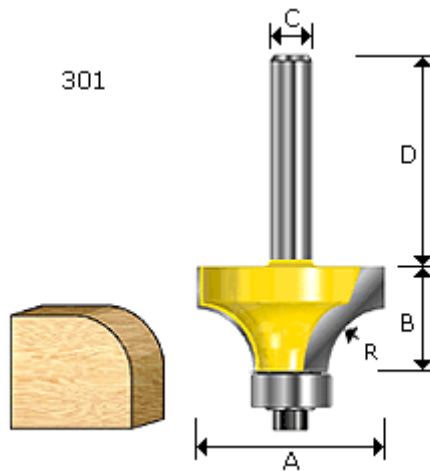


Name: ROUND OVER BITS

Model:301 SERIES



FEATURES:

Two flutes, 1/4" & 1/2" shank, 1/2" bearing

These Rounding Over Bits are often used to soften the edge of furniture. The shear angle provides the smoothest cut available. Bearing pilots can be removed from bits to produce a traditional beaded groove.

Specification:

Item No.	A	B	C	D	R
301006	5/8	3/8	1/4	1-1/4	1/16
301008	5/8	1/2	1/4	1-1/4	1/16
301011	3/4	3/8	1/4	1-1/4	1/8
301013	3/4	1/2	1/4	1-1/4	1/8
301016	13/16	3/8	1/4	1-1/4	5/32
301018	13/16	1/2	1/4	1-1/4	5/32
301021	7/8	3/8	1/4	1-1/4	3/16
301023	7/8	1/2	1/4	1-1/4	3/16
301031	1	7/16	1/4	1-1/4	1/4
301033	1	1/2	1/4	1-1/4	1/4
301041	1-1/8	1/2	1/4	1-1/4	5/16
301051	1-1/4	5/8	1/4	1-1/4	3/8
301061	1-1/2	3/4	1/4	1-1/4	1/2
301406	5/8	1/2	1/2	1-1/2	1/16
301408	5/8	1/2	1/2	1-1/2	1/16
301411	3/4	3/8	1/2	1-1/2	1/8
301413	3/4	1/2	1/2	1-1/2	1/8

301416	13/16	3/8	1/2	1-1/2	5/32
301418	13/16	1/2	1/2	1-1/2	5/32
301421	7/8	3/8	1/2	1-1/2	3/16
301423	7/8	1/2	1/2	1-1/2	3/16
301431	1	7/16	1/2	1-1/2	1/4
301433	1	1/2	1/2	1-1/2	1/4
301441	1-1/8	1/2	1/2	1-1/2	5/16
301451	1-1/4	5/8	1/2	1-1/2	3/8
301461	1-1/2	3/4	1/2	1-1/2	1/2
301471	1-3/4	7/8	1/2	1-1/2	5/8
301481	2	1	1/2	1-1/2	3/4
301491	2-1/4	1-1/8	1/2	1-1/2	7/8
301501	2-1/4	1-1/4	1/2	1-3/4	1
301511	2-3/4	1-3/8	1/2	1-3/4	1-1/8
301521	3	1-1/2	1/2	1-3/4	1-1/4

Name: BEADING BITS

Model:302 SERIES

302

FEATURES:

Two flutes, 1/4" & 1/2" shank, 3/8" bearing

These bits will produce an attractive bead profile to furniture and millwork. The special shear angle causes the bit to slice the wood for a classic profile for edge molding with many cabinet applications.

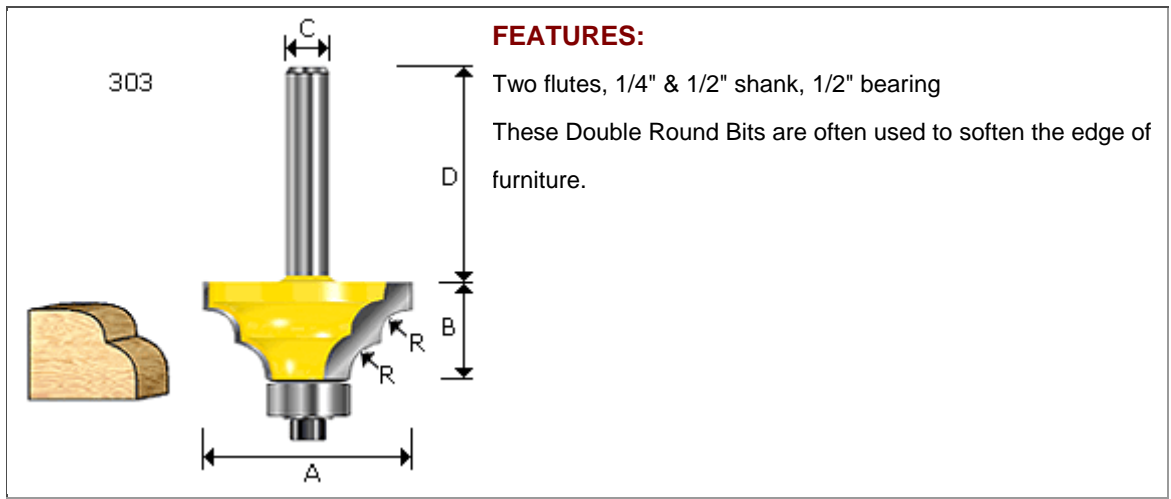
Specification:

Item No.	A	B	C	D	R
302006	5/8	3/8	1/4	1-1/4	1/16
302008	5/8	1/2	1/4	1-1/4	1/16

302011	3/4	3/8	1/4	1-1/4	1/8
302013	3/4	1/2	1/4	1-1/4	1/8
302016	13/16	3/8	1/4	1-1/4	5/32
302018	13/16	1/2	1/4	1-1/4	5/32
302021	7/8	3/8	1/4	1-1/4	3/16
302023	7/8	1/2	1/4	1-1/4	3/16
302031	1	7/16	1/4	1-1/4	1/4
302033	1	1/2	1/4	1-1/4	1/4
302041	1-1/8	1/2	1/4	1-1/4	5/16
302051	1-1/4	5/8	1/4	1-1/4	3/8
302061	1-1/2	3/4	1/4	1-1/4	1/2
302406	5/8	3/8	1/2	1-1/2	1/16
302408	5/8	1/2	1/2	1-1/2	1/16
302411	3/4	3/8	1/2	1-1/2	1/8
302413	3/4	1/2	1/2	1-1/2	1/8
302416	13/16	3/8	1/2	1-1/2	5/32
302418	13/16	1/2	1/2	1-1/2	5/32
302421	7/8	3/8	1/2	1-1/2	3/16
302423	7/8	1/2	1/2	1-1/2	3/16
302431	1	7/16	1/2	1-1/2	1/4
302433	1	1/2	1/2	1-1/2	1/4
302441	1-1/8	1/2	1/2	1-1/2	5/16
302451	1-1/4	5/8	1/2	1-1/2	3/8
302461	1-1/2	3/4	1/2	1-1/2	1/2
302471	1-3/4	7/8	1/2	1-1/2	5/8
302481	2	1	1/2	1-1/2	3/4
302491	2-1/4	1-1/8	1/2	1-1/2	7/8
302501	2-1/2	1-1/4	1/2	1-3/4	1
302511	2-3/4	1-3/8	1/2	1-3/4	1-1/8
302521	3	1-1/2	1/2	1-3/4	1-1/4

Name: DOUBLE ROUND BITS

Model:303 SERIES

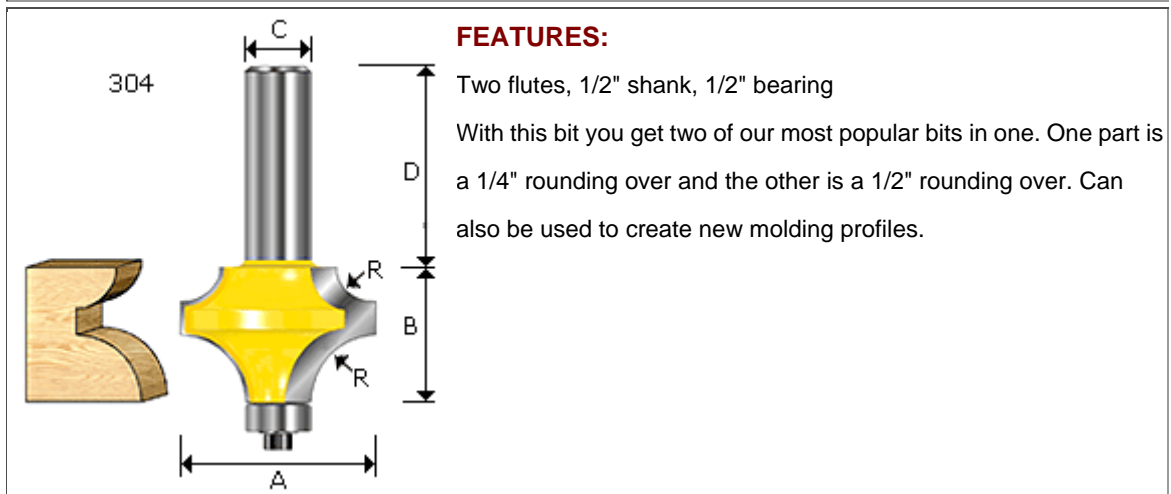


Specification:

Item No.	A	B	C	D	R
303011	1-1/8	1/2	1/4	1-1/4	5/32
303021	1-1/4	9/16	1/4	1-1/4	3/16
303031	1-1/2	11/16	1/4	1-1/4	1/4
303411	1-1/8	1/2	1/2	1-1/2	5/32
303421	1-1/4	9/16	1/2	1-1/2	3/16
303431	1-1/2	11/16	1/2	1-1/2	1/4

Name: CORNER BEAD BITS

Model:304 SERIES



Specification:

Item No.	A	B	C	D	R
304411	1-1/2	1	1/2	1-1/2	1/2 & 1/4

Name: COVE BITS

Model:305 SERIES

305

FEATURES:

Two flutes, 1/4" & 1/2" shank, 3/8" bearing

Use for an attractive elegant edge on drawer fronts, cabinet doors, furniture pieces and molding trim. Select a matching radius roundover for tight fitting drop-leaf tables. Features an upward shear angle for more efficient and smoother cutting.

Specification:

Item No.	A	B	C	D	R
305006	1/2	3/8	1/4	1-1/4	1/16
305008	1/2	1/2	1/4	1-1/4	1/16
305011	5/8	3/8	1/4	1-1/4	1/8
305013	5/8	1/2	1/4	1-1/4	1/8
305016	3/4	3/8	1/4	1-1/4	3/16
305018	3/4	1/2	1/4	1-1/4	3/16
305021	7/8	3/8	1/4	1-1/4	1/4
305023	7/8	1/2	1/4	1-1/4	1/4
305026	1	1/2	1/4	1-1/4	5/16
305031	1-1/8	1/2	1/4	1-1/4	3/8
305041	1-3/8	5/8	1/4	1-1/4	1/2
305406	1/2	3/8	1/2	1-1/2	1/16
305408	1/2	1/2	1/2	1-1/2	1/16

305411	$\frac{5}{8}$	$\frac{3}{8}$	$\frac{1}{2}$	$1-\frac{1}{2}$	$\frac{1}{8}$
305413	$\frac{5}{8}$	$\frac{1}{2}$	$\frac{1}{2}$	$1-\frac{1}{2}$	$\frac{1}{8}$
305416	$\frac{3}{4}$	$\frac{3}{8}$	$\frac{1}{2}$	$1-\frac{1}{2}$	$\frac{3}{16}$
305418	$\frac{3}{4}$	$\frac{1}{2}$	$\frac{1}{2}$	$1-\frac{1}{2}$	$\frac{3}{16}$
305421	$\frac{7}{8}$	$\frac{3}{8}$	$\frac{1}{2}$	$1-\frac{1}{2}$	$\frac{1}{4}$
305423	$\frac{7}{8}$	$\frac{1}{2}$	$\frac{1}{2}$	$1-\frac{1}{2}$	$\frac{1}{4}$
305426	1	$\frac{1}{2}$	$\frac{1}{2}$	$1-\frac{1}{2}$	$\frac{5}{16}$
305431	$1-\frac{1}{8}$	$\frac{1}{2}$	$\frac{1}{2}$	$1-\frac{1}{2}$	$\frac{3}{8}$
305441	$1-\frac{3}{8}$	$\frac{5}{8}$	$\frac{1}{2}$	$1-\frac{1}{2}$	$\frac{1}{2}$
305451	$1-\frac{5}{8}$	$\frac{3}{4}$	$\frac{1}{2}$	$1-\frac{1}{2}$	$\frac{5}{8}$
305461	$1-\frac{7}{8}$	$\frac{7}{8}$	$\frac{1}{2}$	$1-\frac{1}{2}$	$\frac{3}{4}$